

SERIE / SERIES

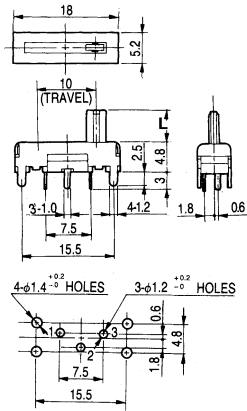
RA1010

SIZE : Micro miniatura / Micro-miniature

CORSA TRAVEL Singolo, terminali da c.s.
P.c.b. single unit

RA1010-20

10



Codice ADI ADI Code	Leval/Lever L	Type	Curva Taper	Valore Value	Note Notes
BQ101505	5	BB	B	5K	
BQ101510	5	BB	B	10K	
BQ101550	5	BB	B	50K	
BQ101590	5	BB	B	100K	

RA1010

SUFFISSO SUFFIX	BB
DIMENSIONI (mm.) DIMENSIONS	Insulated lever
LUNGH. LENGTH (L)	
	L 2.5 5 10

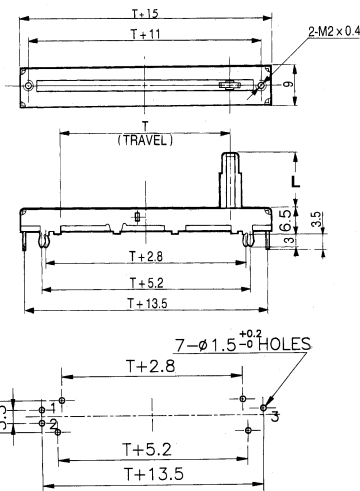
SERIE / SERIES

RAXx21/22-202

SIZE : Basso profilo / Low profile

CORSA TRAVEL Singolo, terminali da c.s.
chassis con terminali di massa
P.c.b. single unit
case-earthing mounting type

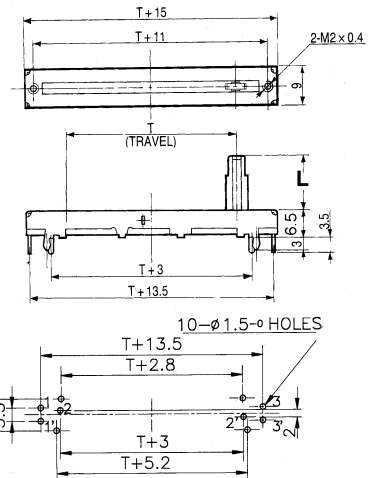
RA1521-202	15
RA2021-202	20
RA3021-202	30
RA4521-202	45
RA6021-202	60



Codice ADI ADI Code	Leval/Lever L	Type	Curva Taper	Valore Value	Note Notes
BQ120461	15	C1	B	10K	T = 20; DC
BQ120462	15	C1	B	20K	T = 20; DC
BQ130424	15	C1	B	100K	T = 30
BQ130461	15	C1	B	10K	T = 30; DC
BQ130470	15	C1	B	100K	T = 30; DC
BQ130476	15	C1	B	470K	T = 30; DC
BQ130481	15	C1	B	10K	T = 30; 11 click
BQ140361	10	C1	B	10K	T = 45; DC2
BQ140461	15	C1	B	10K	T = 45; DC2
BQ140464	15	C1	B	100K	T = 45; DC2
BQ160410	15	C1	A	10K	T = 60; DC
BQ160414	15	C1	A	100K	T = 60; DC
BQ160421	15	C1	B	10K	T = 60; DC
BQ160424	15	C1	B	100K	T = 60; DC

CORSA TRAVEL Doppio, terminali da c.s.
chassis con terminali di massa
P.c.b. dual unit
case-earthing mounting type

RA1522-202	15
RA2022-202	20
RA3022-202	30
RA4522-202	45
RA6022-202	60



Codice ADI ADI Code	Leval/Lever L	Type	Curva Taper	Valore Value	Note Notes
BQ230461	15	C1	B	10K	T = 30; DC
BQ230470	15	C1	B	100K	T = 30; DC
BQ240461	15	C1	B	10K	T = 45; DC
BQ240480	15	C1	B	100K	T = 45; DC
BQ260410	15	C1	B	10K	T = 60; DC
BQ260424	15	C1	B	100K	T = 60; DC