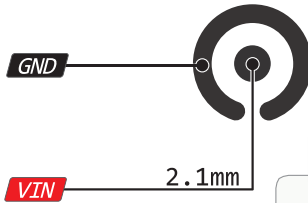


UNO PINOUT

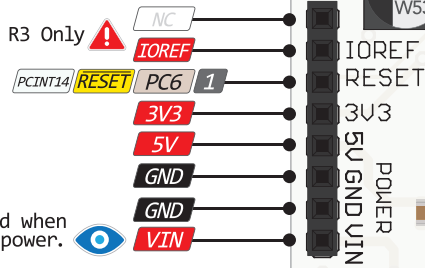
7-12V Depending on current drawn



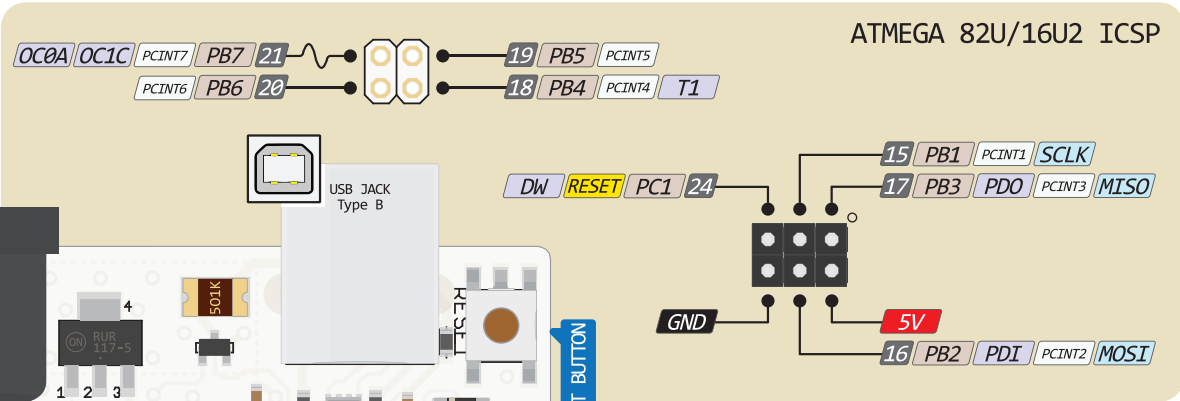
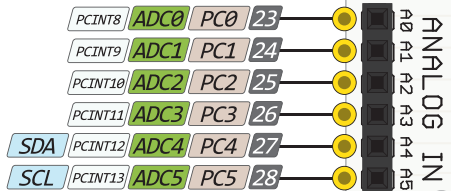
Absolute MAX per pin 40mA recommended 20mA

Absolute MAX 200mA for entire package

IOREF provides a logic reference voltage for shields that use it. It is connected to the 5V bus.



The input voltage to the board when it is running from external power. Not USB bus power.



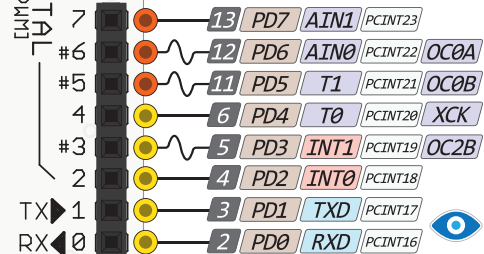
ATMEGA 82U/16U2 ICSP

R3 Only

- Power
- GND
- Serial Pin
- Analog Pin
- Control
- INT
- Physical Pin
- Port Pin
- Pin function
- Interrupt Pin
- Port Power

Cut to disable autoreset

DIGITAL



Connected to the ATmega and used for USB program and communicating with it

The power sum for each pin's group should not exceed 100mA

