

## ULTRALOW-NOISE, HIGH PSRR, FAST RF 200mA LOW-DROPOUT LINEAR REGULATORS IN NanoStar™ WAFER CHIP SCALE AND SOT23

### FEATURES

- 200mA RF Low-Dropout Regulator With Enable
- Available in Fixed Voltage Versions from 1.8V to 4.75V and Adjustable (1.22V to 5.5V)
- High PSRR (70dB at 10kHz)
- Ultralow-Noise (32 $\mu$ V<sub>RMS</sub>, TPS79328)
- Fast Start-Up Time (50 $\mu$ s)
- Stable With a 2.2 $\mu$ F Ceramic Capacitor
- Excellent Load/Line Transient Response
- Very Low Dropout Voltage (112mV at 200mA, TPS79330)
- 5- and 6-Pin SOT23 (DBV) and NanoStar Wafer Chip Scale (YEQ, YZQ) Packages

### APPLICATIONS

- RF: VCOs, Receivers, ADCs
- Audio
- Cellular and Cordless Telephones
- Bluetooth®, Wireless LAN
- Handheld Organizers, PDAs

### DESCRIPTION

The TPS793xx family of low-dropout (LDO) low-power linear voltage regulators features high power-supply rejection ratio (PSRR), ultralow-noise, fast start-up, and excellent line and load transient responses in NanoStar wafer chip scale and SOT23 packages. NanoStar packaging gives an ultrasmall footprint as well as an ultralow profile and package weight, making it ideal for portable applications such as handsets and PDAs. Each device in the family is stable, with a small 2.2 $\mu$ F ceramic capacitor on the output. The TPS793xx family uses an advanced, proprietary BiCMOS fabrication process to yield extremely low dropout voltages (for example, 112mV at 200mA, TPS79330). Each device achieves fast start-up times (approximately 50 $\mu$ s with a 0.001 $\mu$ F bypass capacitor) while consuming very low quiescent current (170 $\mu$ A typical). Moreover, when the device is placed in standby mode, the supply current is reduced to less than 1 $\mu$ A. The TPS79328 exhibits approximately 32 $\mu$ V<sub>RMS</sub> of output voltage noise at 2.8V output with a 0.1 $\mu$ F bypass capacitor. Applications with analog components that are noise-sensitive, such as portable RF electronics, benefit from the high PSRR and low-noise features as well as the fast response time.

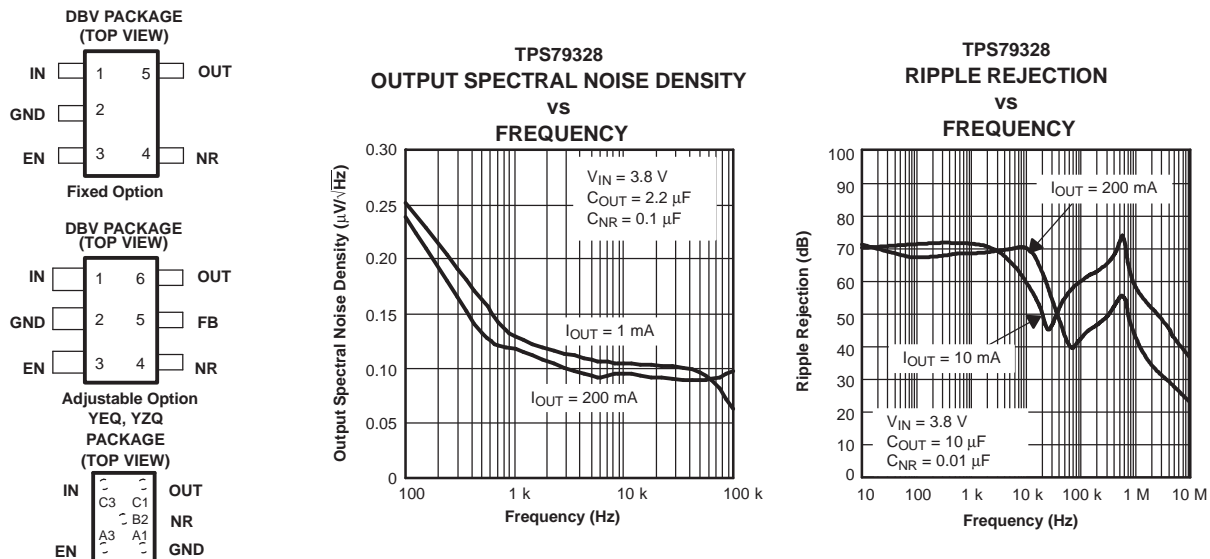


Figure 1.



Please be aware that an important notice concerning availability, standard warranty, and use in critical applications of Texas Instruments semiconductor products and disclaimers thereto appears at the end of this data sheet.

NanoStar is a trademark of Texas Instruments.  
Bluetooth is a registered trademark of Bluetooth SIG, Inc.  
All other trademarks are the property of their respective owners.



This integrated circuit can be damaged by ESD. Texas Instruments recommends that all integrated circuits be handled with appropriate precautions. Failure to observe proper handling and installation procedures can cause damage.

ESD damage can range from subtle performance degradation to complete device failure. Precision integrated circuits may be more susceptible to damage because very small parametric changes could cause the device not to meet its published specifications.

### ORDERING INFORMATION<sup>(1)</sup>

| PRODUCT      | V <sub>OUT</sub> <sup>(2)</sup>  |
|--------------|--|
| TPS793xxyyyz | <p><b>XX</b> is nominal output voltage (for example, 28 = 2.8V, 285 = 2.85V, 01 = Adjustable).</p> <p><b>YYY</b> is package designator.</p> <p><b>Z</b> is package quantity.</p> |

- (1) For the most current package and ordering information, see the Package Option Addendum at the end of this document, or see the TI website at [www.ti.com](http://www.ti.com).
- (2) Output voltages from 1.2V to 4.8V in 50mV increments are available; minimum order quantities may apply. Contact factory for details and availability.

### ABSOLUTE MAXIMUM RATINGS

Over operating temperature range (unless otherwise noted)<sup>(1)</sup>

|   | UNIT                          |
|---|-------------------------------|
| V <sub>IN</sub> range                       | –0.3V to 6V                   |
| V <sub>EN</sub> range                       | –0.3V to 6V                   |
| V <sub>OUT</sub> range                      | –0.3V to 6V                   |
| Peak output current                         | Internally limited            |
| ESD rating, HBM                             | 2kV                           |
| ESD rating, CDM                             | 500V                          |
| Continuous total power dissipation          | See Dissipation Ratings Table |
| Junction temperature range, DBV package     | –40°C to +150°C               |
| Junction temperature range, YEQ package     | –40°C to +125°C               |
| Storage temperature range, T <sub>stg</sub> | –65°C to +150°C               |

- (1) Stresses beyond those listed under *absolute maximum ratings* may cause permanent damage to the device. These are stress ratings only, and functional operation of the device at these or any other conditions beyond those indicated under *recommended operating conditions* is not implied. Exposure to absolute-maximum-rated conditions for extended periods may affect device reliability.

### DISSIPATION RATINGS TABLE

| BOARD                 | PACKAGE | R <sub>θJC</sub> | R <sub>θJA</sub> | DERATING FACTOR ABOVE T <sub>A</sub> = +25°C | T <sub>A</sub> ≤ +25°C POWER RATING | T <sub>A</sub> = +70°C POWER RATING | T <sub>A</sub> = +85°C POWER RATING |
|-----------------------|---------|------------------|------------------|--|-------------------------------------|-------------------------------------|-------------------------------------|
| Low-K <sup>(1)</sup>  | DBV     | 65°C/W           | 255°C/W          | 3.9mW/°C                                     | 390mW                               | 215mW                               | 155mW                               |
| High-K <sup>(2)</sup> | DBV     | 65°C/W           | 180°C/W          | 5.6mW/°C                                     | 560mW                               | 310mW                               | 225mW                               |
| Low-K <sup>(1)</sup>  | YEQ     | 27°C/W           | 255°C/W          | 3.9mW/°C                                     | 390mW                               | 215mW                               | 155mW                               |
| High-K <sup>(2)</sup> | YEQ     | 27°C/W           | 190°C/W          | 5.3mW/°C                                     | 530mW                               | 296mW                               | 216mW                               |

- (1) The JEDEC low-K (1s) board design used to derive this data was a 3-inch x 3-inch, two layer board with 2 ounce copper traces on top of the board.
- (2) The JEDEC high-K (2s2p) board design used to derive this data was a 3-inch x 3-inch, multilayer board with 1 ounce internal power and ground planes and 2 ounce copper traces on top and bottom of the board.

## ELECTRICAL CHARACTERISTICS

Over recommended operating temperature range  $T_J = -40^\circ\text{C}$  to  $+125^\circ\text{C}$ ,  $V_{EN} = V_{IN}$ ,  $V_{IN} = V_{OUT(nom)} + 1V^{(1)}$ ,  $I_{OUT} = 1\text{mA}$ ,  $C_{OUT} = 10\mu\text{F}$ ,  $C_{NR} = 0.01\mu\text{F}$  (unless otherwise noted). Typical values are at  $+25^\circ\text{C}$ .

| PARAMETER   |           | TEST CONDITIONS  |                                       | MIN      | TYP   | MAX            | UNIT                |
|---|-----------|--|---------------------------------------|----------|-------|----------------|---------------------|
| $V_{IN}$ Input voltage <sup>(1)</sup>                                       |           |  |                                       | 2.7      |       | 5.5            | V                   |
| $I_{OUT}$ Continuous output current   |           |  |                                       | 0        |       | 200            | mA                  |
| $V_{FB}$ Internal reference (TPS79301)                                      |           |  |                                       | 1.201    | 1.225 | 1.250          | V                   |
| Output voltage range (TPS79301)   |           |  |                                       | $V_{FB}$ |       | $5.5 - V_{DO}$ | V                   |
| Output voltage  | TPS79318  | $0\mu\text{A} < I_{OUT} < 200\text{mA}$ ,                                  | $2.8\text{V} < V_{IN} < 5.5\text{V}$  | 1.764    | 1.8   | 1.836          | V                   |
|   | TPS79325  | $0\mu\text{A} < I_{OUT} < 200\text{mA}$ ,                                  | $3.5\text{V} < V_{IN} < 5.5\text{V}$  | 2.45     | 2.5   | 2.55           | V                   |
|   | TPS79328  | $0\mu\text{A} < I_{OUT} < 200\text{mA}$ ,                                  | $3.8\text{V} < V_{IN} < 5.5\text{V}$  | 2.744    | 2.8   | 2.856          | V                   |
|   | TPS793285 | $0\mu\text{A} < I_{OUT} < 200\text{mA}$ ,                                  | $3.85\text{V} < V_{IN} < 5.5\text{V}$ | 2.793    | 2.85  | 2.907          | V                   |
|   | TPS79330  | $0\mu\text{A} < I_{OUT} < 200\text{mA}$ ,                                  | $4\text{V} < V_{IN} < 5.5\text{V}$    | 2.94     | 3     | 3.06           | V                   |
|   | TPS79333  | $0\mu\text{A} \leq I_{OUT} < 200\text{mA}$ ,                               | $4.3\text{V} < V_{IN} < 5.5\text{V}$  | 3.234    | 3.3   | 3.366          | V                   |
|   | TPS793475 | $0\mu\text{A} < I_{OUT} < 200\text{mA}$ ,                                  | $5.25\text{V} < V_{IN} < 5.5\text{V}$ | 4.655    | 4.75  | 4.845          | V                   |
| Line regulation ( $\Delta V_{OUT}/\Delta V_{IN}$ ) <sup>(1)</sup>           |           | $V_{OUT} + 1\text{V} < V_{IN} \leq 5.5\text{V}$                            |                                       |          | 0.05  | 0.12           | %/V                 |
| Load regulation ( $\Delta V_{OUT}/\Delta I_{OUT}$ )                         |           | $0\mu\text{A} < I_{OUT} < 200\text{mA}$ , $T_J = +25^\circ\text{C}$        |                                       |          | 5     |                | mV                  |
| Dropout voltage <sup>(2)</sup><br>( $V_{IN} = V_{OUT(nom)} - 0.1\text{V}$ ) | TPS79328  | $I_{OUT} = 200\text{mA}$   |                                       |          | 120   | 200            | mV                  |
|   | TPS793285 | $I_{OUT} = 200\text{mA}$   |                                       |          | 120   | 200            |                     |
|   | TPS79330  | $I_{OUT} = 200\text{mA}$   |                                       |          | 112   | 200            |                     |
|   | TPS79333  | $I_{OUT} = 200\text{mA}$   |                                       |          | 102   | 180            |                     |
|   | TPS793475 | $I_{OUT} = 200\text{mA}$   |                                       |          | 77    | 125            |                     |
| Output current limit  |           | $V_{OUT} = 0\text{V}$  |                                       | 285      |       | 600            | mA                  |
| GND pin current   |           | $0\mu\text{A} < I_{OUT} < 200\text{mA}$                                    |                                       |          | 170   | 220            | $\mu\text{A}$       |
| Shutdown current <sup>(3)</sup>   |           | $V_{EN} = 0\text{V}$ , $2.7\text{V} < V_{IN} < 5.5\text{V}$                |                                       |          | 0.07  | 1              | $\mu\text{A}$       |
| FB pin current  |           | $V_{FB} = 1.8\text{V}$   |                                       |          |       | 1              | $\mu\text{A}$       |
| Power-supply ripple rejection   | TPS79328  | $f = 100\text{Hz}$ , $T_J = +25^\circ\text{C}$ , $I_{OUT} = 10\text{mA}$   |                                       |          | 70    |                | dB                  |
|   |           | $f = 100\text{Hz}$ , $T_J = +25^\circ\text{C}$ , $I_{OUT} = 200\text{mA}$  |                                       |          | 68    |                |                     |
|   |           | $f = 10\text{kHz}$ , $T_J = +25^\circ\text{C}$ , $I_{OUT} = 200\text{mA}$  |                                       |          | 70    |                |                     |
|   |           | $f = 100\text{kHz}$ , $T_J = +25^\circ\text{C}$ , $I_{OUT} = 200\text{mA}$ |                                       |          | 43    |                |                     |
| Output noise voltage (TPS79328)   |           | BW = 200Hz to 100kHz,<br>$I_{OUT} = 200\text{mA}$                          | $C_{NR} = 0.001\mu\text{F}$           |          | 55    |                | $\mu\text{V}_{RMS}$ |
|   |           |  | $C_{NR} = 0.0047\mu\text{F}$          |          | 36    |                |                     |
|   |           |  | $C_{NR} = 0.01\mu\text{F}$            |          | 33    |                |                     |
|   |           |  | $C_{NR} = 0.1\mu\text{F}$             |          | 32    |                |                     |
| Time, start-up (TPS79328)   |           | $R_L = 14\Omega$ , $C_{OUT} = 1\mu\text{F}$                                | $C_{NR} = 0.001\mu\text{F}$           |          | 50    |                | $\mu\text{s}$       |
|   |           |  | $C_{NR} = 0.0047\mu\text{F}$          |          | 70    |                |                     |
|   |           |  | $C_{NR} = 0.01\mu\text{F}$            |          | 100   |                |                     |
| High level enable input voltage   |           | $2.7\text{V} < V_{IN} < 5.5\text{V}$                                       |                                       | 1.7      |       | $V_{IN}$       | V                   |
| Low level enable input voltage  |           | $2.7\text{V} < V_{IN} < 5.5\text{V}$                                       |                                       | 0        |       | 0.7            | V                   |
| EN pin current  |           | $V_{EN} = 0\text{V}$   |                                       | -1       |       | 1              | $\mu\text{A}$       |
| UVLO threshold  |           | $V_{CC}$ rising  |                                       | 2.25     |       | 2.65           | V                   |
| UVLO hysteresis   |           |  |                                       |          | 100   |                | mV                  |

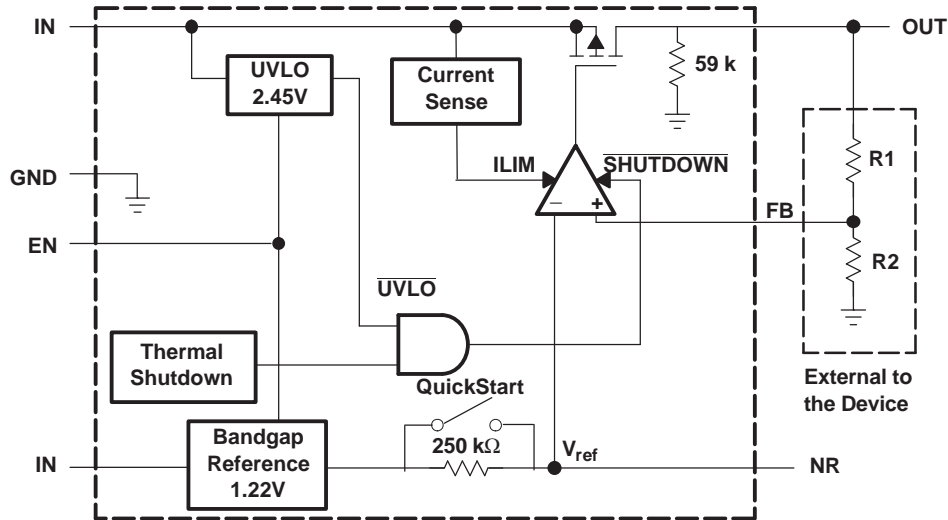
(1) Minimum  $V_{IN}$  is 2.7V or  $V_{OUT} + V_{DO}$ , whichever is greater.

(2) Dropout is not measured for the TPS79318 and TPS79325 since minimum  $V_{IN} = 2.7\text{V}$ .

(3) For adjustable versions, this parameter applies only after  $V_{IN}$  is applied; then  $V_{EN}$  transitions high to low.

FUNCTIONAL BLOCK DIAGRAMS

ADJUSTABLE VERSION



FIXED VERSION

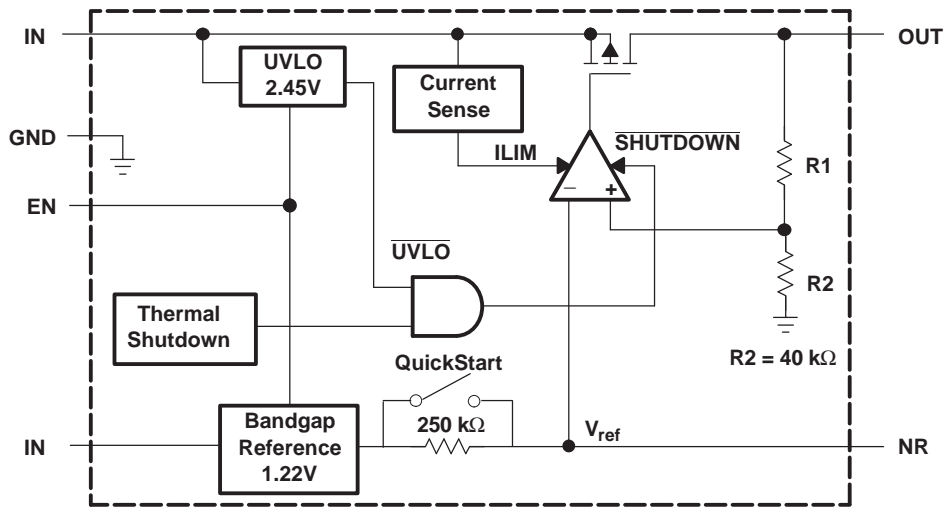


Table 1. Terminal Functions

| TERMINAL |           |             |            | DESCRIPTION   |
|----------|-----------|-------------|------------|---|
| NAME     | SOT23 ADJ | SOT23 FIXED | WCSP FIXED |   |
| NR       | 4         | 4           | B2         | Connecting an external capacitor to this pin bypasses noise generated by the internal bandgap. This improves power-supply rejection and reduces output noise. |
| EN       | 3         | 3           | A3         | Driving the enable pin (EN) high turns on the regulator. Driving this pin low puts the regulator into shutdown mode. EN can be connected to IN if not used.   |
| FB       | 5         | N/A         | N/A        | This terminal is the feedback input voltage for the adjustable device.  |
| GND      | 2         | 2           | A1         | Regulator ground  |
| IN       | 1         | 1           | C3         | Input to the device.  |
| OUT      | 6         | 5           | C1         | Output of the regulator.  |

TYPICAL CHARACTERISTICS (SOT23 PACKAGE)

TPS79328  
OUTPUT VOLTAGE  
VS  
OUTPUT CURRENT

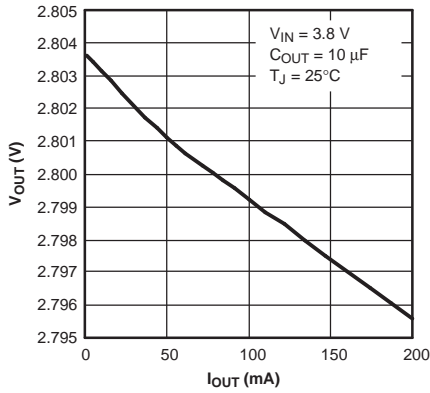


Figure 2.

TPS79328  
OUTPUT VOLTAGE  
VS  
JUNCTION TEMPERATURE

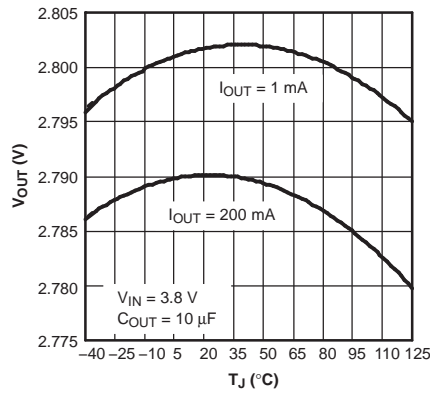


Figure 3.

TPS79328  
GROUND CURRENT  
VS  
JUNCTION TEMPERATURE

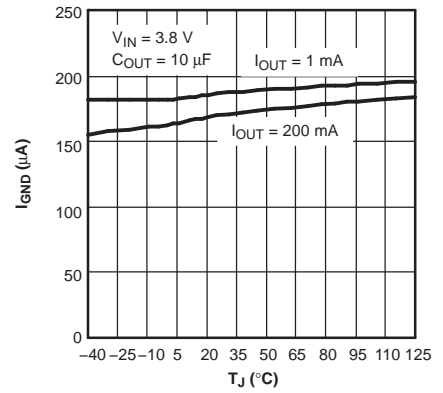


Figure 4.

TPS79328 OUTPUT SPECTRAL  
NOISE DENSITY  
VS  
FREQUENCY

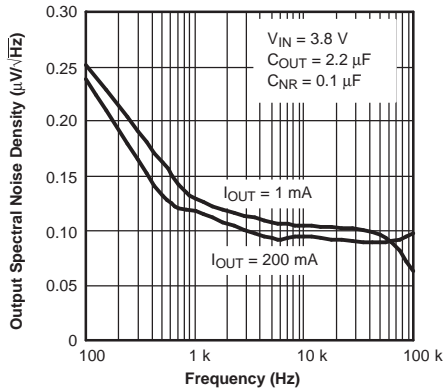


Figure 5.

TPS79328 OUTPUT SPECTRAL  
NOISE DENSITY  
VS  
FREQUENCY

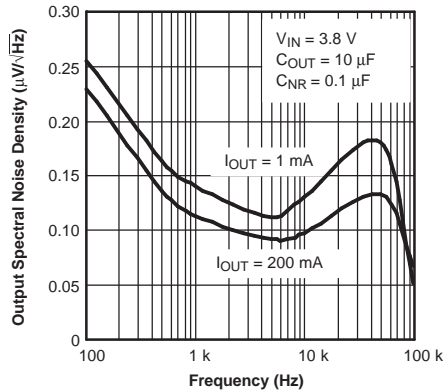


Figure 6.

TPS79328 OUTPUT SPECTRAL  
NOISE DENSITY  
VS  
FREQUENCY

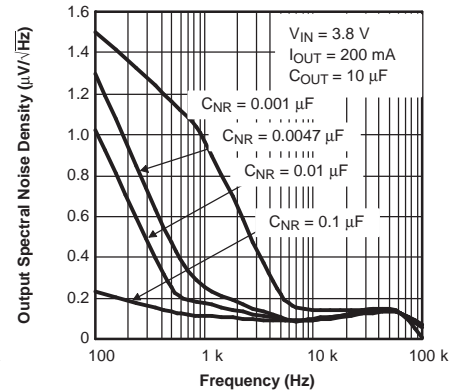


Figure 7.

ROOT MEAN SQUARE OUTPUT  
NOISE  
VS  
CNR

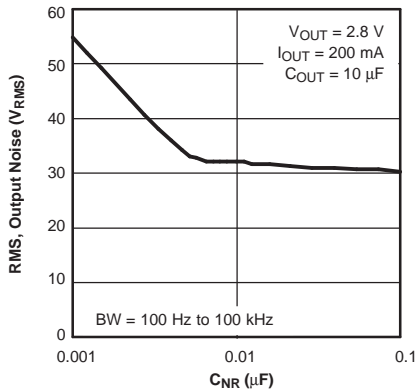


Figure 8.

OUTPUT IMPEDANCE  
VS  
FREQUENCY

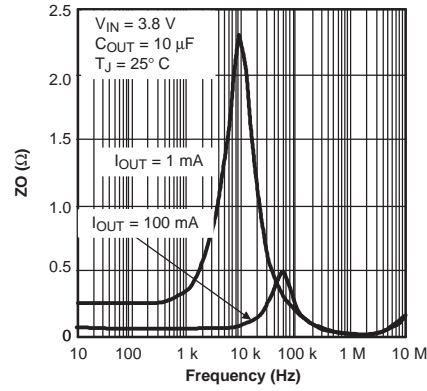


Figure 9.

TPS79328  
DROPOUT VOLTAGE  
VS  
JUNCTION TEMPERATURE

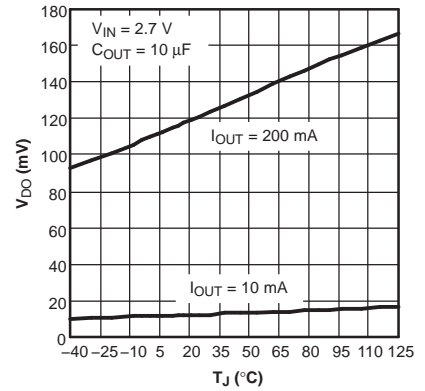


Figure 10.

TYPICAL CHARACTERISTICS (SOT23 PACKAGE) (continued)

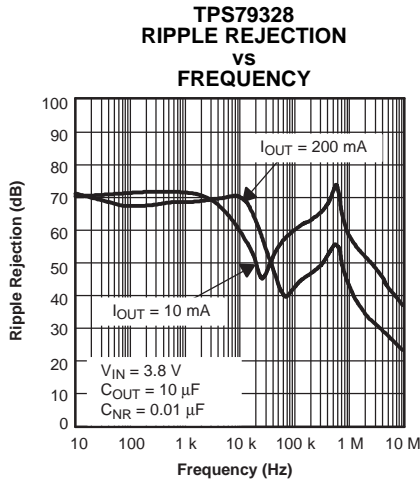


Figure 11.

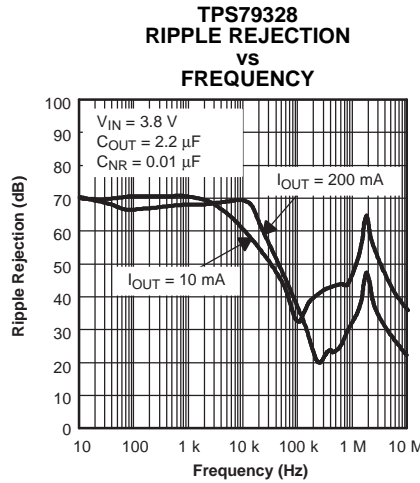


Figure 12.

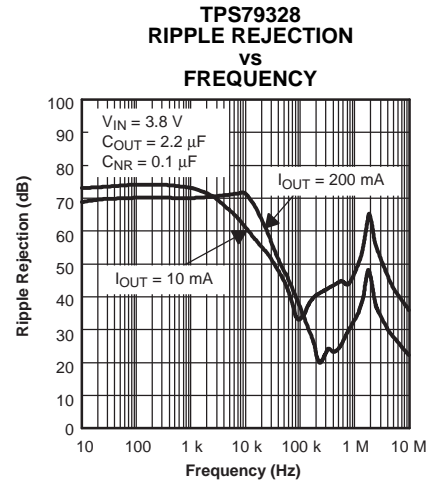


Figure 13.

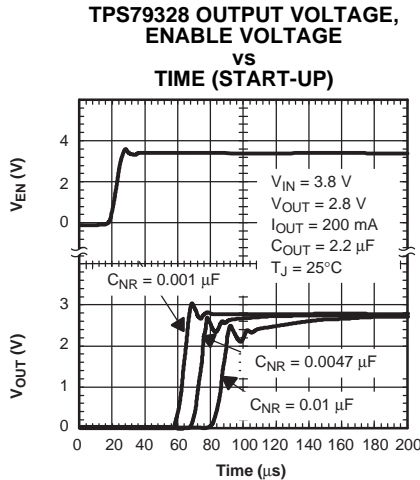


Figure 14.

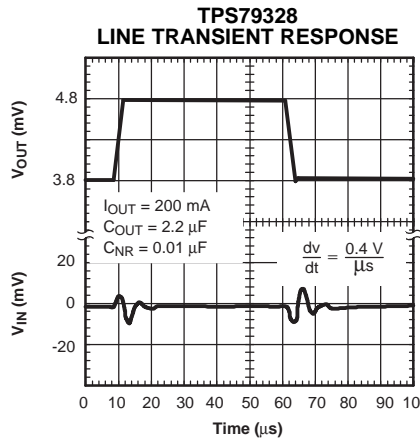


Figure 15.

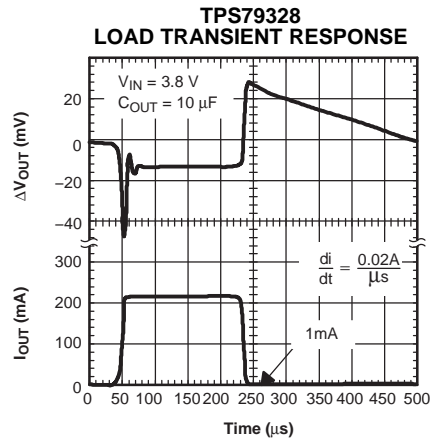


Figure 16.

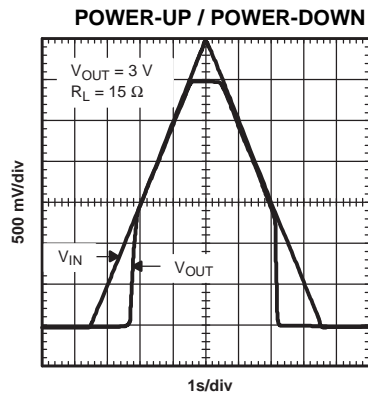


Figure 17.

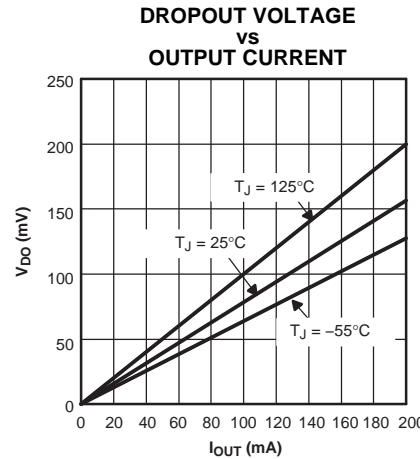


Figure 18.

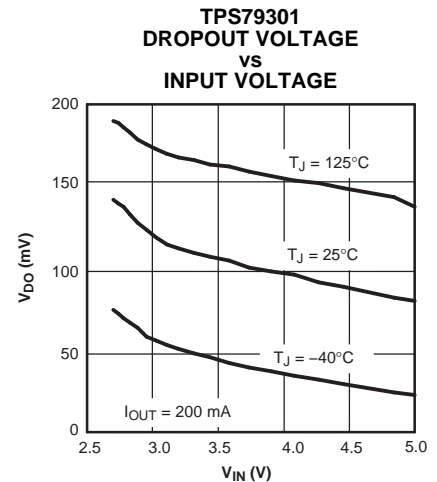
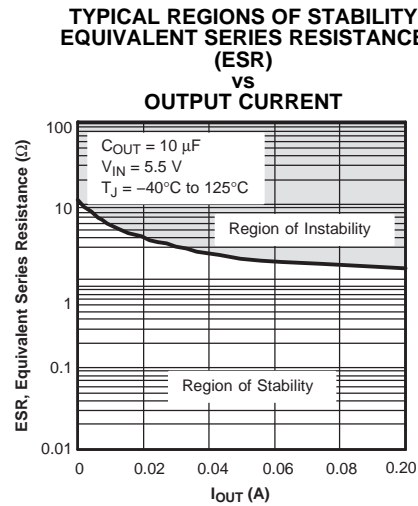
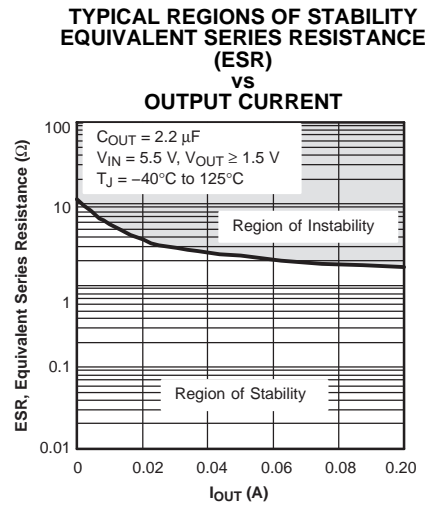


Figure 19.

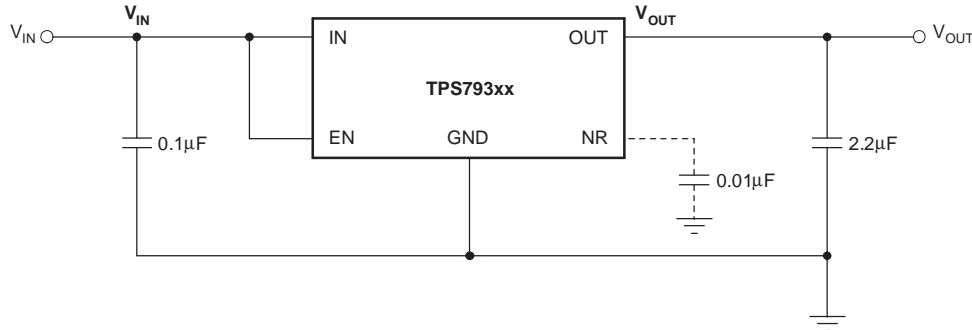
**TYPICAL CHARACTERISTICS (SOT23 PACKAGE) (continued)**



## APPLICATION INFORMATION

The TPS793xx family of low-dropout (LDO) regulators has been optimized for use in noise-sensitive battery-operated equipment. The device features extremely low dropout voltages, high PSRR, ultralow output noise, low quiescent current (170 $\mu$ A typically), and enable-input to reduce supply currents to less than 1 $\mu$ A when the regulator is turned off.

A typical application circuit is shown in [Figure 22](#).



**Figure 22. Typical Application Circuit**

### External Capacitor Requirements

A 0.1 $\mu$ F or larger ceramic input bypass capacitor, connected between IN and GND and located close to the TPS793xx, is required for stability and improves transient response, noise rejection, and ripple rejection. A higher-value input capacitor may be necessary if large, fast-rise-time load transients are anticipated or the device is located several inches from the power source.

Like most low-dropout regulators, the TPS793xx requires an output capacitor connected between OUT and GND to stabilize the internal control loop. The minimum recommended capacitance is 2.2 $\mu$ F. Any 2.2 $\mu$ F or larger ceramic capacitor is suitable, provided the capacitance does not vary significantly over temperature. If load current is not expected to exceed 100mA, a 1.0 $\mu$ F ceramic capacitor can be used.

The internal voltage reference is a key source of noise in an LDO regulator. The TPS793xx has an NR pin which is connected to the voltage reference through a 250k $\Omega$  internal resistor. The 250k $\Omega$  internal resistor, in conjunction with an external bypass capacitor connected to the NR pin, creates a low-pass filter to reduce the voltage reference noise and, therefore, the noise at the regulator output. In order for the regulator to operate properly, the current flow out of the NR pin must be at a minimum, because any leakage current creates an IR drop across the internal resistor, thus creating an output error. Therefore, the bypass capacitor must have minimal leakage current. The bypass capacitor should be no more than 0.1 $\mu$ F to ensure that it is fully charged during the quickstart time provided by the internal switch shown in the [Functional Block Diagrams](#).

As an example, the TPS79328 exhibits only 32 $\mu$ V<sub>RMS</sub> of output voltage noise using a 0.1 $\mu$ F ceramic bypass capacitor and a 2.2 $\mu$ F ceramic output capacitor. Note that the output starts up slower as the bypass capacitance increases due to the RC time constant at the NR pin that is created by the internal 250k $\Omega$  resistor and external capacitor.

### Board Layout Recommendation to Improve PSRR and Noise Performance

To improve ac measurements like PSRR, output noise, and transient response, it is recommended that the board be designed with separate ground planes for  $V_{IN}$  and  $V_{OUT}$ , with each ground plane connected only at the GND pin of the device. In addition, the ground connection for the bypass capacitor should connect directly to the GND pin of the device.



## Power Dissipation and Junction Temperature

Specified regulator operation is assured to a junction temperature of +125°C; the maximum junction temperature should be restricted to +125°C under normal operating conditions. This restriction limits the power dissipation the regulator can handle in any given application. To ensure the junction temperature is within acceptable limits, calculate the maximum allowable dissipation,  $P_{D(max)}$ , and the actual dissipation,  $P_D$ , which must be less than or equal to  $P_{D(max)}$ .

The maximum power dissipation limit is determined using [Equation 1](#):

$$P_{D(max)} = \frac{T_{Jmax} - T_A}{R_{\theta JA}} \quad (1)$$

Where:

- $T_{Jmax}$  is the maximum allowable junction temperature.
- $R_{\theta JA}$  is the thermal resistance junction-to-ambient for the package (see the [Dissipation Ratings Table](#)).
- $T_A$  is the ambient temperature.

The regulator dissipation is calculated using [Equation 2](#):

$$P_D = (V_{IN} - V_{OUT}) \times I_{OUT} \quad (2)$$

Power dissipation resulting from quiescent current is negligible. Excessive power dissipation triggers the thermal protection circuit.

## Programming the TPS79301 Adjustable LDO Regulator

The output voltage of the TPS79301 adjustable regulator is programmed using an external resistor divider as shown in [Figure 23](#). The output voltage is calculated using [Equation 3](#):

$$V_{OUT} = V_{REF} \times \left( 1 + \frac{R_1}{R_2} \right) \quad (3)$$

Where:

- $V_{REF} = 1.2246V$  typ (the internal reference voltage)

Resistors  $R_1$  and  $R_2$  should be chosen for approximately 50µA divider current. Lower value resistors can be used for improved noise performance, but the solution consumes more power. Higher resistor values should be avoided as leakage current into/out of FB across  $R_1/R_2$  creates an offset voltage that artificially increases/decreases the feedback voltage and thus erroneously decreases/increases  $V_{OUT}$ . The recommended design procedure is to choose  $R_2 = 30.1k\Omega$  to set the divider current at 50µA,  $C_1 = 15pF$  for stability, and then calculate  $R_1$  using [Equation 4](#):

$$R_1 = \left( \frac{V_{OUT}}{V_{REF}} - 1 \right) \times R_2 \quad (4)$$

In order to improve the stability of the adjustable version, it is suggested that a small compensation capacitor be placed between OUT and FB. For voltages less than 1.8V, the value of this capacitor should be 100pF. For voltages greater than 1.8V, the approximate value of this capacitor can be calculated as shown in [Equation 5](#):

$$C_1 = \frac{(3 \times 10^{-7}) \times (R_1 + R_2)}{(R_1 \times R_2)} \quad (5)$$

The suggested value of this capacitor for several resistor ratios is shown in the table below. If this capacitor is not used (such as in a unity-gain configuration) or if an output voltage less than 1.8V is chosen, then the minimum recommended output capacitor is 4.7µF instead of 2.2µF.

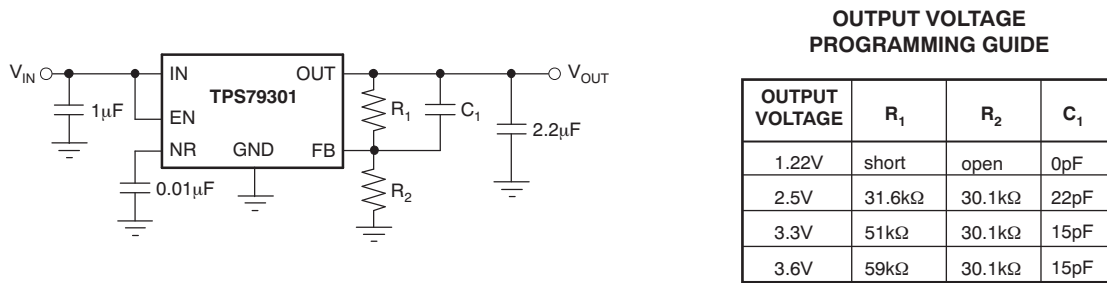


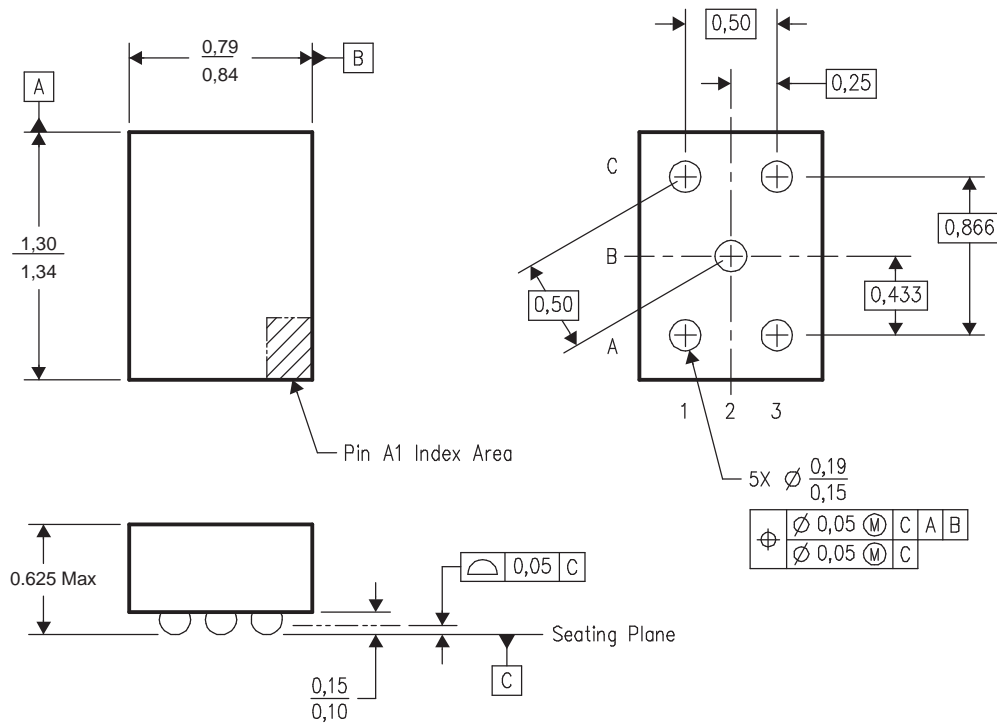
Figure 23. TPS79301 Adjustable LDO Regulator Programming

### Regulator Protection

The TPS793xx PMOS-pass transistor has a built-in back diode that conducts reverse current when the input voltage drops below the output voltage (for example, during power-down). Current is conducted from the output to the input and is not internally limited. If extended reverse voltage operation is anticipated, external limiting might be appropriate.

The TPS793xx features internal current limiting and thermal protection. During normal operation, the TPS793xx limits output current to approximately 400mA. When current limiting engages, the output voltage scales back linearly until the overcurrent condition ends. While current limiting is designed to prevent gross device failure, care should be taken not to exceed the power dissipation ratings of the package or the absolute maximum voltage ratings of the device. If the temperature of the device exceeds approximately +165°C, thermal-protection circuitry shuts it down. Once the device has cooled down to below approximately +140°C, regulator operation resumes.

**TPS793xxYEQ, YZQ NanoStar™ Wafer Chip Scale Information**



- NOTES: A. All linear dimensions are in millimeters.  
 B. This drawing is subject to change without notice.  
 C. NanoStar™ package configuration.

NanoStar is a trademark of Texas Instruments.

**Figure 24. NanoStar™ Wafer Chip Scale Package**

DBV (R-PDSO-G5)

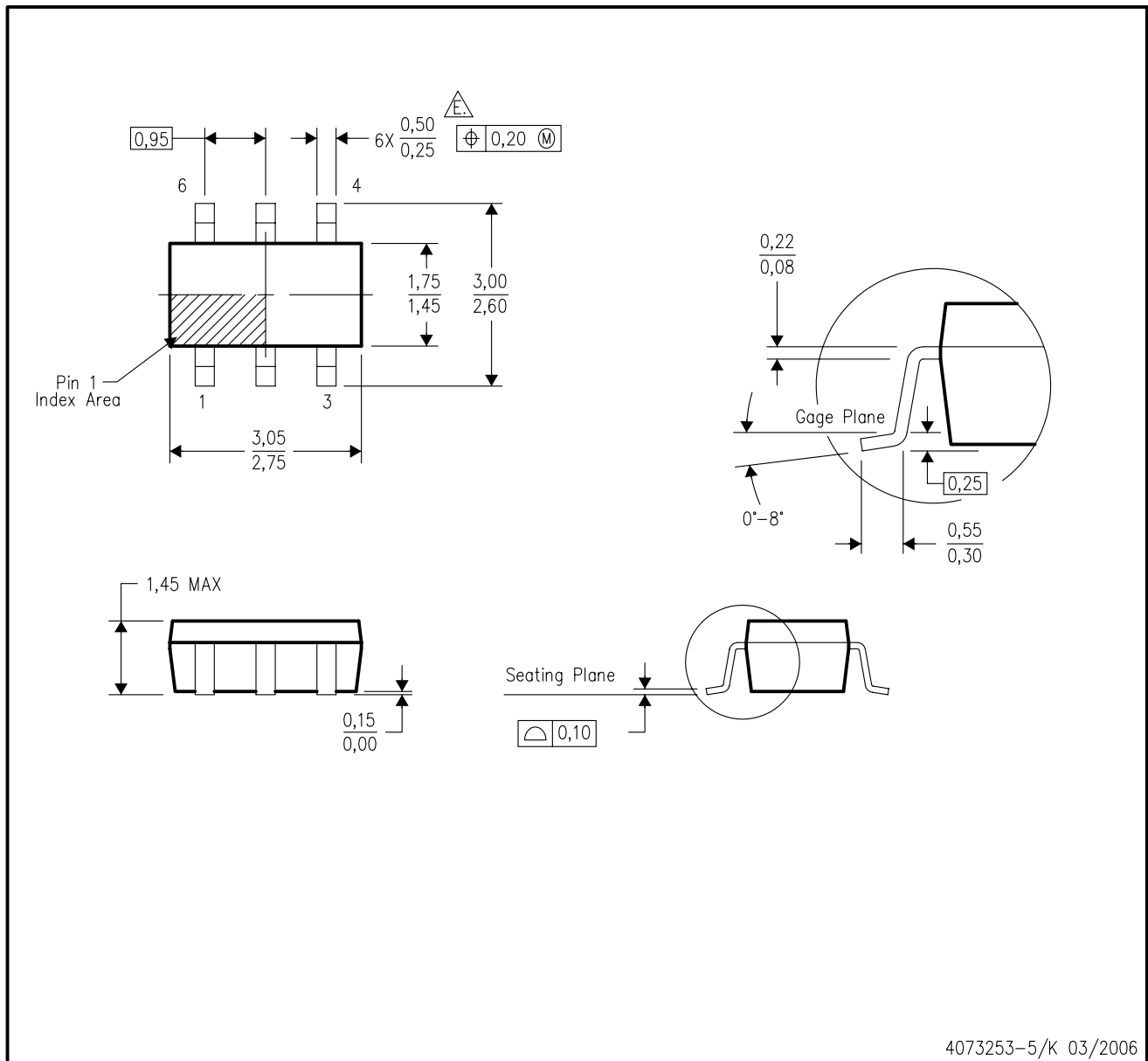
PLASTIC SMALL-OUTLINE PACKAGE



- NOTES:
- A. All linear dimensions are in millimeters.
  - B. This drawing is subject to change without notice.
  - C. Body dimensions do not include mold flash or protrusion. Mold flash and protrusion shall not exceed 0.15 per side.
  - D. Falls within JEDEC MO-178 Variation AA.

DBV (R-PDSO-G6)

PLASTIC SMALL-OUTLINE PACKAGE



- NOTES:
- A. All linear dimensions are in millimeters.
  - B. This drawing is subject to change without notice.
  - C. Body dimensions do not include mold flash or protrusion. Mold flash and protrusion shall not exceed 0.15 per side.
  - D. Leads 1,2,3 may be wider than leads 4,5,6 for package orientation.
- $\triangle E$  Falls within JEDEC MO-178 Variation AB, except minimum lead width.

**PACKAGING INFORMATION**

| Orderable Device | Status <sup>(1)</sup> | Package Type | Package Drawing | Pins | Package Qty | Eco Plan <sup>(2)</sup>    | Lead/<br>Ball Finish | MSL Peak Temp <sup>(3)</sup> | Samples<br>(Requires Login)               |
|------------------|-----------------------|--------------|-----------------|------|-------------|----------------------------|----------------------|------------------------------|---|
| TPS79301DBVR     | ACTIVE                | SOT-23       | DBV             | 6    | 3000        | Green (RoHS<br>& no Sb/Br) | CU NIPDAU            | Level-1-260C-UNLIM           | <a href="#">Request Free Samples</a>      |
| TPS79301DBVRG4   | ACTIVE                | SOT-23       | DBV             | 6    | 3000        | Green (RoHS<br>& no Sb/Br) | CU NIPDAU            | Level-1-260C-UNLIM           | <a href="#">Request Free Samples</a>      |
| TPS79318DBVR     | ACTIVE                | SOT-23       | DBV             | 5    | 3000        | Green (RoHS<br>& no Sb/Br) | CU NIPDAU            | Level-1-260C-UNLIM           | <a href="#">Request Free Samples</a>      |
| TPS79318DBVRG4   | ACTIVE                | SOT-23       | DBV             | 5    | 3000        | Green (RoHS<br>& no Sb/Br) | CU NIPDAU            | Level-1-260C-UNLIM           | <a href="#">Request Free Samples</a>      |
| TPS79318DBVT     | ACTIVE                | SOT-23       | DBV             | 5    | 250         | Green (RoHS<br>& no Sb/Br) | CU NIPDAU            | Level-1-260C-UNLIM           | Contact TI Distributor<br>or Sales Office |
| TPS79318DBVTG4   | ACTIVE                | SOT-23       | DBV             | 5    | 250         | Green (RoHS<br>& no Sb/Br) | CU NIPDAU            | Level-1-260C-UNLIM           | Contact TI Distributor<br>or Sales Office |
| TPS79318YEQR     | NRND                  | DSBGA        | YEQ             | 5    | 3000        | TBD                        | Call TI              | Call TI                      | Replaced by TPS79318YZQR                  |
| TPS79318YEQT     | NRND                  | DSBGA        | YEQ             | 5    | 250         | TBD                        | Call TI              | Call TI                      | Replaced by TPS79318YZQT                  |
| TPS79318YZQR     | ACTIVE                | DSBGA        | YZQ             | 5    | 3000        | Green (RoHS<br>& no Sb/Br) | SNAGCU               | Level-1-260C-UNLIM           | <a href="#">Request Free Samples</a>      |
| TPS79318YZQT     | ACTIVE                | DSBGA        | YZQ             | 5    | 250         | Green (RoHS<br>& no Sb/Br) | SNAGCU               | Level-1-260C-UNLIM           | <a href="#">Purchase Samples</a>          |
| TPS79325DBVR     | ACTIVE                | SOT-23       | DBV             | 5    | 3000        | Green (RoHS<br>& no Sb/Br) | CU NIPDAU            | Level-1-260C-UNLIM           | <a href="#">Request Free Samples</a>      |
| TPS79325DBVRG4   | ACTIVE                | SOT-23       | DBV             | 5    | 3000        | Green (RoHS<br>& no Sb/Br) | CU NIPDAU            | Level-1-260C-UNLIM           | <a href="#">Request Free Samples</a>      |
| TPS79325YEQR     | NRND                  | DSBGA        | YEQ             | 5    |             | TBD                        | Call TI              | Call TI                      | Replaced by TPS79325YZQR                  |
| TPS79325YEQT     | NRND                  | DSBGA        | YEQ             | 5    |             | TBD                        | Call TI              | Call TI                      |   |
| TPS79325YZQR     | ACTIVE                | DSBGA        | YZQ             | 5    | 3000        | Green (RoHS<br>& no Sb/Br) | SNAGCU               | Level-1-260C-UNLIM           | <a href="#">Request Free Samples</a>      |
| TPS793285DBVR    | ACTIVE                | SOT-23       | DBV             | 5    | 3000        | Green (RoHS<br>& no Sb/Br) | CU NIPDAU            | Level-1-260C-UNLIM           | <a href="#">Request Free Samples</a>      |
| TPS793285DBVRG4  | ACTIVE                | SOT-23       | DBV             | 5    | 3000        | Green (RoHS<br>& no Sb/Br) | CU NIPDAU            | Level-1-260C-UNLIM           | <a href="#">Request Free Samples</a>      |
| TPS793285DBVT    | ACTIVE                | SOT-23       | DBV             | 5    | 250         | Green (RoHS<br>& no Sb/Br) | CU NIPDAU            | Level-1-260C-UNLIM           | Contact TI Distributor<br>or Sales Office |

| Orderable Device | Status <sup>(1)</sup> | Package Type | Package Drawing | Pins | Package Qty | Eco Plan <sup>(2)</sup> | Lead/<br>Ball Finish | MSL Peak Temp <sup>(3)</sup> | Samples<br>(Requires Login)            |
|------------------|-----------------------|--------------|-----------------|------|-------------|-------------------------|----------------------|------------------------------|--|
| TPS793285DBVTG4  | ACTIVE                | SOT-23       | DBV             | 5    | 250         | Green (RoHS & no Sb/Br) | CU NIPDAU            | Level-1-260C-UNLIM           | Contact TI Distributor or Sales Office |
| TPS793285YEQR    | NRND                  | DSBGA        | YEQ             | 5    | 3000        | TBD                     | Call TI              | Call TI                      | Replaced by TPS793285YZQR              |
| TPS793285YEQT    | NRND                  | DSBGA        | YEQ             | 5    | 250         | TBD                     | Call TI              | Call TI                      | Replaced by TPS793285YZQT              |
| TPS793285YZQR    | ACTIVE                | DSBGA        | YZQ             | 5    | 3000        | Green (RoHS & no Sb/Br) | SNAGCU               | Level-1-260C-UNLIM           | <a href="#">Request Free Samples</a>   |
| TPS793285YZQT    | ACTIVE                | DSBGA        | YZQ             | 5    | 250         | Green (RoHS & no Sb/Br) | SNAGCU               | Level-1-260C-UNLIM           | <a href="#">Purchase Samples</a>       |
| TPS79328DBVR     | ACTIVE                | SOT-23       | DBV             | 5    | 3000        | Green (RoHS & no Sb/Br) | CU NIPDAU            | Level-1-260C-UNLIM           | <a href="#">Request Free Samples</a>   |
| TPS79328DBVRG4   | ACTIVE                | SOT-23       | DBV             | 5    | 3000        | Green (RoHS & no Sb/Br) | CU NIPDAU            | Level-1-260C-UNLIM           | <a href="#">Request Free Samples</a>   |
| TPS79328YEQR     | NRND                  | DSBGA        | YEQ             | 5    | 3000        | TBD                     | Call TI              | Call TI                      | Replaced by TPS79328YZQR               |
| TPS79328YEQT     | NRND                  | DSBGA        | YEQ             | 5    | 250         | TBD                     | Call TI              | Call TI                      | Replaced by TPS79328YZQT               |
| TPS79328YZQR     | ACTIVE                | DSBGA        | YZQ             | 5    | 3000        | Green (RoHS & no Sb/Br) | SNAGCU               | Level-1-260C-UNLIM           | <a href="#">Purchase Samples</a>       |
| TPS79328YZQT     | ACTIVE                | DSBGA        | YZQ             | 5    | 250         | Green (RoHS & no Sb/Br) | SNAGCU               | Level-1-260C-UNLIM           | <a href="#">Request Free Samples</a>   |
| TPS79330DBVR     | ACTIVE                | SOT-23       | DBV             | 5    | 3000        | Green (RoHS & no Sb/Br) | CU NIPDAU            | Level-1-260C-UNLIM           | <a href="#">Request Free Samples</a>   |
| TPS79330DBVRG4   | ACTIVE                | SOT-23       | DBV             | 5    | 3000        | Green (RoHS & no Sb/Br) | CU NIPDAU            | Level-1-260C-UNLIM           | <a href="#">Request Free Samples</a>   |
| TPS79330YEQR     | NRND                  | DSBGA        | YEQ             | 5    | 3000        | TBD                     | Call TI              | Call TI                      | Replaced by TPS79330YZQR               |
| TPS79330YEQT     | NRND                  | DSBGA        | YEQ             | 5    | 250         | TBD                     | Call TI              | Call TI                      | Replaced by TPS79330YZQT               |
| TPS79330YZQR     | ACTIVE                | DSBGA        | YZQ             | 5    | 3000        | Green (RoHS & no Sb/Br) | SNAGCU               | Level-1-260C-UNLIM           | <a href="#">Request Free Samples</a>   |
| TPS79330YZQT     | ACTIVE                | DSBGA        | YZQ             | 5    | 250         | Green (RoHS & no Sb/Br) | SNAGCU               | Level-1-260C-UNLIM           | <a href="#">Purchase Samples</a>       |
| TPS79333DBVR     | ACTIVE                | SOT-23       | DBV             | 5    | 3000        | Green (RoHS & no Sb/Br) | CU NIPDAU            | Level-1-260C-UNLIM           | <a href="#">Request Free Samples</a>   |
| TPS79333DBVRG4   | ACTIVE                | SOT-23       | DBV             | 5    | 3000        | Green (RoHS & no Sb/Br) | CU NIPDAU            | Level-1-260C-UNLIM           | <a href="#">Request Free Samples</a>   |

| Orderable Device | Status <sup>(1)</sup> | Package Type | Package Drawing | Pins | Package Qty | Eco Plan <sup>(2)</sup> | Lead/<br>Ball Finish | MSL Peak Temp <sup>(3)</sup> | Samples<br>(Requires Login)          |
|------------------|-----------------------|--------------|-----------------|------|-------------|-------------------------|----------------------|------------------------------|--------------------------------------|
| TPS793475DBVR    | ACTIVE                | SOT-23       | DBV             | 5    | 3000        | Green (RoHS & no Sb/Br) | CU NIPDAU            | Level-1-260C-UNLIM           | <a href="#">Request Free Samples</a> |
| TPS793475DBVRG4  | ACTIVE                | SOT-23       | DBV             | 5    | 3000        | Green (RoHS & no Sb/Br) | CU NIPDAU            | Level-1-260C-UNLIM           | <a href="#">Request Free Samples</a> |

<sup>(1)</sup> The marketing status values are defined as follows:

**ACTIVE:** Product device recommended for new designs.

**LIFEBUY:** TI has announced that the device will be discontinued, and a lifetime-buy period is in effect.

**NRND:** Not recommended for new designs. Device is in production to support existing customers, but TI does not recommend using this part in a new design.

**PREVIEW:** Device has been announced but is not in production. Samples may or may not be available.

**OBSELETE:** TI has discontinued the production of the device.

<sup>(2)</sup> Eco Plan - The planned eco-friendly classification: Pb-Free (RoHS), Pb-Free (RoHS Exempt), or Green (RoHS & no Sb/Br) - please check <http://www.ti.com/productcontent> for the latest availability information and additional product content details.

**TBD:** The Pb-Free/Green conversion plan has not been defined.

**Pb-Free (RoHS):** TI's terms "Lead-Free" or "Pb-Free" mean semiconductor products that are compatible with the current RoHS requirements for all 6 substances, including the requirement that lead not exceed 0.1% by weight in homogeneous materials. Where designed to be soldered at high temperatures, TI Pb-Free products are suitable for use in specified lead-free processes.

**Pb-Free (RoHS Exempt):** This component has a RoHS exemption for either 1) lead-based flip-chip solder bumps used between the die and package, or 2) lead-based die adhesive used between the die and leadframe. The component is otherwise considered Pb-Free (RoHS compatible) as defined above.

**Green (RoHS & no Sb/Br):** TI defines "Green" to mean Pb-Free (RoHS compatible), and free of Bromine (Br) and Antimony (Sb) based flame retardants (Br or Sb do not exceed 0.1% by weight in homogeneous material)

<sup>(3)</sup> MSL, Peak Temp. -- The Moisture Sensitivity Level rating according to the JEDEC industry standard classifications, and peak solder temperature.

**Important Information and Disclaimer:** The information provided on this page represents TI's knowledge and belief as of the date that it is provided. TI bases its knowledge and belief on information provided by third parties, and makes no representation or warranty as to the accuracy of such information. Efforts are underway to better integrate information from third parties. TI has taken and continues to take reasonable steps to provide representative and accurate information but may not have conducted destructive testing or chemical analysis on incoming materials and chemicals. TI and TI suppliers consider certain information to be proprietary, and thus CAS numbers and other limited information may not be available for release.

In no event shall TI's liability arising out of such information exceed the total purchase price of the TI part(s) at issue in this document sold by TI to Customer on an annual basis.

**OTHER QUALIFIED VERSIONS OF TPS79301, TPS79318, TPS79325, TPS79328, TPS793285, TPS79330, TPS79333, TPS793475 :**

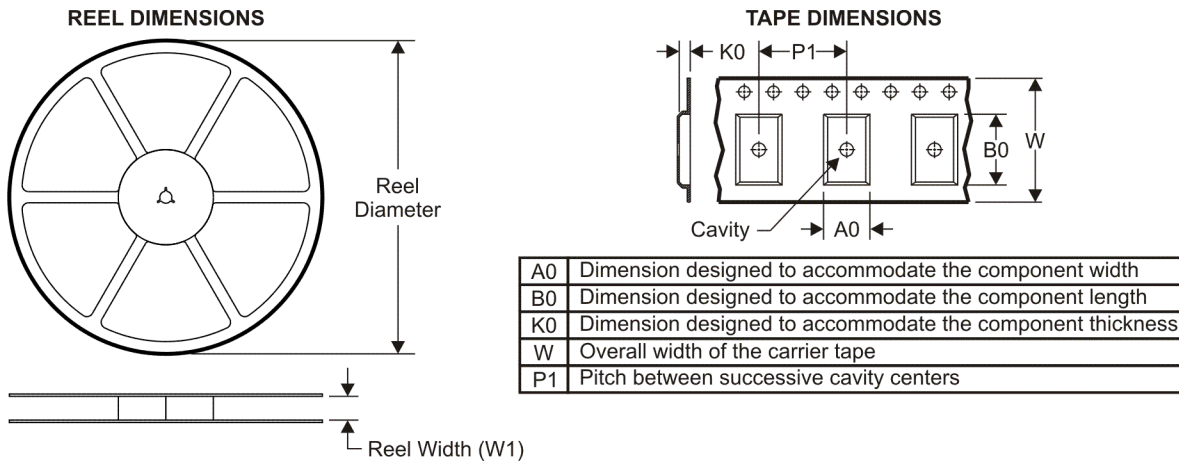
● Automotive: [TPS79301-Q1](#), [TPS79318-Q1](#), [TPS79325-Q1](#), [TPS79328-Q1](#), [TPS793285-Q1](#), [TPS79330-Q1](#), [TPS79333-Q1](#), [TPS793475-Q1](#)

● Enhanced Product: [TPS79301-EP](#), [TPS79318-EP](#), [TPS79325-EP](#), [TPS79333-EP](#), [TPS793475-EP](#)

NOTE: Qualified Version Definitions:



- Automotive - Q100 devices qualified for high-reliability automotive applications targeting zero defects
- Enhanced Product - Supports Defense, Aerospace and Medical Applications

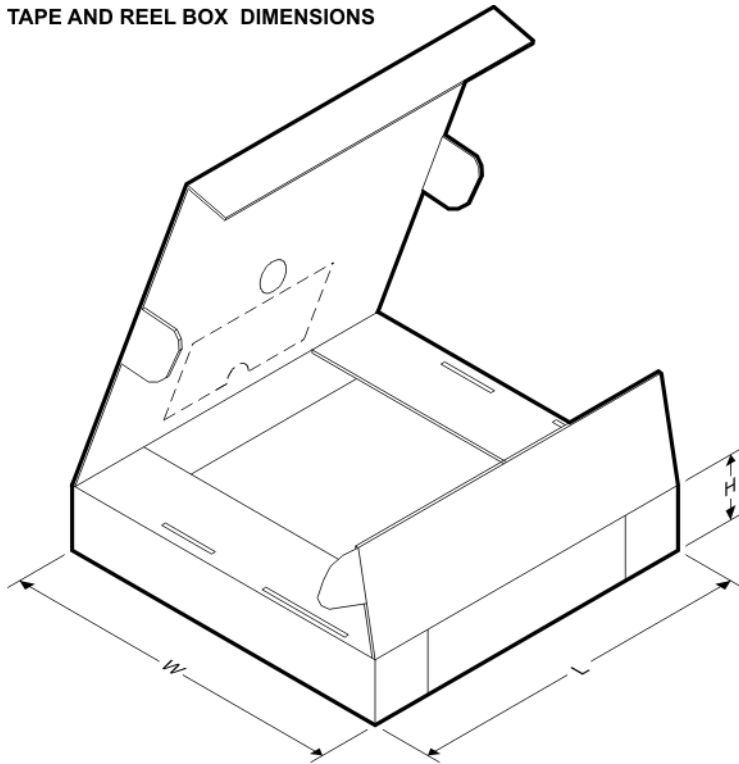
**TAPE AND REEL INFORMATION**

**QUADRANT ASSIGNMENTS FOR PIN 1 ORIENTATION IN TAPE**


\*All dimensions are nominal

| Device        | Package Type | Package Drawing | Pins | SPQ  | Reel Diameter (mm) | Reel Width W1 (mm) | A0 (mm) | B0 (mm) | K0 (mm) | P1 (mm) | W (mm) | Pin1 Quadrant |
|---------------|--------------|-----------------|------|------|--------------------|--------------------|---------|---------|---------|---------|--------|---------------|
| TPS79301DBVR  | SOT-23       | DBV             | 6    | 3000 | 178.0              | 9.0                | 3.23    | 3.17    | 1.37    | 4.0     | 8.0    | Q3            |
| TPS79318DBVR  | SOT-23       | DBV             | 5    | 3000 | 178.0              | 9.0                | 3.23    | 3.17    | 1.37    | 4.0     | 8.0    | Q3            |
| TPS79318DBVT  | SOT-23       | DBV             | 5    | 250  | 178.0              | 9.0                | 3.23    | 3.17    | 1.37    | 4.0     | 8.0    | Q3            |
| TPS79318YZQR  | DSBGA        | YZQ             | 5    | 3000 | 178.0              | 8.4                | 0.98    | 1.46    | 0.69    | 4.0     | 8.0    | Q1            |
| TPS79318YZQT  | DSBGA        | YZQ             | 5    | 250  | 178.0              | 8.4                | 0.98    | 1.46    | 0.69    | 4.0     | 8.0    | Q1            |
| TPS79325DBVR  | SOT-23       | DBV             | 5    | 3000 | 179.0              | 8.4                | 3.2     | 3.2     | 1.4     | 4.0     | 8.0    | Q3            |
| TPS79325YZQR  | DSBGA        | YZQ             | 5    | 3000 | 178.0              | 8.4                | 0.98    | 1.46    | 0.69    | 4.0     | 8.0    | Q1            |
| TPS793285DBVR | SOT-23       | DBV             | 5    | 3000 | 179.0              | 8.4                | 3.2     | 3.2     | 1.4     | 4.0     | 8.0    | Q3            |
| TPS793285DBVT | SOT-23       | DBV             | 5    | 250  | 179.0              | 8.4                | 3.2     | 3.2     | 1.4     | 4.0     | 8.0    | Q3            |
| TPS793285YZQR | DSBGA        | YZQ             | 5    | 3000 | 178.0              | 8.4                | 0.98    | 1.46    | 0.69    | 4.0     | 8.0    | Q1            |
| TPS793285YZQT | DSBGA        | YZQ             | 5    | 250  | 178.0              | 8.4                | 0.98    | 1.46    | 0.69    | 4.0     | 8.0    | Q1            |
| TPS79328DBVR  | SOT-23       | DBV             | 5    | 3000 | 179.0              | 8.4                | 3.2     | 3.2     | 1.4     | 4.0     | 8.0    | Q3            |
| TPS79328YZQR  | DSBGA        | YZQ             | 5    | 3000 | 178.0              | 8.4                | 0.98    | 1.46    | 0.69    | 4.0     | 8.0    | Q1            |
| TPS79328YZQT  | DSBGA        | YZQ             | 5    | 250  | 178.0              | 8.4                | 0.98    | 1.46    | 0.69    | 4.0     | 8.0    | Q1            |
| TPS79330DBVR  | SOT-23       | DBV             | 5    | 3000 | 178.0              | 9.0                | 3.23    | 3.17    | 1.37    | 4.0     | 8.0    | Q3            |
| TPS79330YZQR  | DSBGA        | YZQ             | 5    | 3000 | 178.0              | 8.4                | 0.98    | 1.46    | 0.69    | 4.0     | 8.0    | Q1            |
| TPS79330YZQT  | DSBGA        | YZQ             | 5    | 250  | 178.0              | 8.4                | 0.98    | 1.46    | 0.69    | 4.0     | 8.0    | Q1            |
| TPS79333DBVR  | SOT-23       | DBV             | 5    | 3000 | 180.0              | 9.0                | 3.15    | 3.2     | 1.4     | 4.0     | 8.0    | Q3            |

| Device        | Package Type | Package Drawing | Pins | SPQ  | Reel Diameter (mm) | Reel Width W1 (mm) | A0 (mm) | B0 (mm) | K0 (mm) | P1 (mm) | W (mm) | Pin1 Quadrant |
|---------------|--------------|-----------------|------|------|--------------------|--------------------|---------|---------|---------|---------|--------|---------------|
| TPS79333DBVR  | SOT-23       | DBV             | 5    | 3000 | 178.0              | 9.0                | 3.23    | 3.17    | 1.37    | 4.0     | 8.0    | Q3            |
| TPS79333DBVR  | SOT-23       | DBV             | 5    | 3000 | 179.0              | 8.4                | 3.2     | 3.2     | 1.4     | 4.0     | 8.0    | Q3            |
| TPS793475DBVR | SOT-23       | DBV             | 5    | 3000 | 179.0              | 8.4                | 3.2     | 3.2     | 1.4     | 4.0     | 8.0    | Q3            |

## TAPE AND REEL BOX DIMENSIONS



\*All dimensions are nominal

| Device        | Package Type | Package Drawing | Pins | SPQ  | Length (mm) | Width (mm) | Height (mm) |
|---------------|--------------|-----------------|------|------|-------------|------------|-------------|
| TPS79301DBVR  | SOT-23       | DBV             | 6    | 3000 | 180.0       | 180.0      | 18.0        |
| TPS79318DBVR  | SOT-23       | DBV             | 5    | 3000 | 180.0       | 180.0      | 18.0        |
| TPS79318DBVT  | SOT-23       | DBV             | 5    | 250  | 180.0       | 180.0      | 18.0        |
| TPS79318YZQR  | DSBGA        | YZQ             | 5    | 3000 | 217.0       | 193.0      | 35.0        |
| TPS79318YZQT  | DSBGA        | YZQ             | 5    | 250  | 217.0       | 193.0      | 35.0        |
| TPS79325DBVR  | SOT-23       | DBV             | 5    | 3000 | 203.0       | 203.0      | 35.0        |
| TPS79325YZQR  | DSBGA        | YZQ             | 5    | 3000 | 217.0       | 193.0      | 35.0        |
| TPS793285DBVR | SOT-23       | DBV             | 5    | 3000 | 203.0       | 203.0      | 35.0        |
| TPS793285DBVT | SOT-23       | DBV             | 5    | 250  | 203.0       | 203.0      | 35.0        |
| TPS793285YZQR | DSBGA        | YZQ             | 5    | 3000 | 217.0       | 193.0      | 35.0        |
| TPS793285YZQT | DSBGA        | YZQ             | 5    | 250  | 217.0       | 193.0      | 35.0        |
| TPS79328DBVR  | SOT-23       | DBV             | 5    | 3000 | 203.0       | 203.0      | 35.0        |
| TPS79328YZQR  | DSBGA        | YZQ             | 5    | 3000 | 217.0       | 193.0      | 35.0        |
| TPS79328YZQT  | DSBGA        | YZQ             | 5    | 250  | 217.0       | 193.0      | 35.0        |

---

| Device        | Package Type | Package Drawing | Pins | SPQ  | Length (mm) | Width (mm) | Height (mm) |
|---------------|--------------|-----------------|------|------|-------------|------------|-------------|
| TPS79330DBVR  | SOT-23       | DBV             | 5    | 3000 | 180.0       | 180.0      | 18.0        |
| TPS79330YZQR  | DSBGA        | YZQ             | 5    | 3000 | 217.0       | 193.0      | 35.0        |
| TPS79330YZQT  | DSBGA        | YZQ             | 5    | 250  | 217.0       | 193.0      | 35.0        |
| TPS79333DBVR  | SOT-23       | DBV             | 5    | 3000 | 182.0       | 182.0      | 20.0        |
| TPS79333DBVR  | SOT-23       | DBV             | 5    | 3000 | 180.0       | 180.0      | 18.0        |
| TPS79333DBVR  | SOT-23       | DBV             | 5    | 3000 | 203.0       | 203.0      | 35.0        |
| TPS793475DBVR | SOT-23       | DBV             | 5    | 3000 | 203.0       | 203.0      | 35.0        |

## IMPORTANT NOTICE

Texas Instruments Incorporated and its subsidiaries (TI) reserve the right to make corrections, modifications, enhancements, improvements, and other changes to its products and services at any time and to discontinue any product or service without notice. Customers should obtain the latest relevant information before placing orders and should verify that such information is current and complete. All products are sold subject to TI's terms and conditions of sale supplied at the time of order acknowledgment.

TI warrants performance of its hardware products to the specifications applicable at the time of sale in accordance with TI's standard warranty. Testing and other quality control techniques are used to the extent TI deems necessary to support this warranty. Except where mandated by government requirements, testing of all parameters of each product is not necessarily performed.

TI assumes no liability for applications assistance or customer product design. Customers are responsible for their products and applications using TI components. To minimize the risks associated with customer products and applications, customers should provide adequate design and operating safeguards.

TI does not warrant or represent that any license, either express or implied, is granted under any TI patent right, copyright, mask work right, or other TI intellectual property right relating to any combination, machine, or process in which TI products or services are used. Information published by TI regarding third-party products or services does not constitute a license from TI to use such products or services or a warranty or endorsement thereof. Use of such information may require a license from a third party under the patents or other intellectual property of the third party, or a license from TI under the patents or other intellectual property of TI.

Reproduction of TI information in TI data books or data sheets is permissible only if reproduction is without alteration and is accompanied by all associated warranties, conditions, limitations, and notices. Reproduction of this information with alteration is an unfair and deceptive business practice. TI is not responsible or liable for such altered documentation. Information of third parties may be subject to additional restrictions.

Resale of TI products or services with statements different from or beyond the parameters stated by TI for that product or service voids all express and any implied warranties for the associated TI product or service and is an unfair and deceptive business practice. TI is not responsible or liable for any such statements.

TI products are not authorized for use in safety-critical applications (such as life support) where a failure of the TI product would reasonably be expected to cause severe personal injury or death, unless officers of the parties have executed an agreement specifically governing such use. Buyers represent that they have all necessary expertise in the safety and regulatory ramifications of their applications, and acknowledge and agree that they are solely responsible for all legal, regulatory and safety-related requirements concerning their products and any use of TI products in such safety-critical applications, notwithstanding any applications-related information or support that may be provided by TI. Further, Buyers must fully indemnify TI and its representatives against any damages arising out of the use of TI products in such safety-critical applications.

TI products are neither designed nor intended for use in military/aerospace applications or environments unless the TI products are specifically designated by TI as military-grade or "enhanced plastic." Only products designated by TI as military-grade meet military specifications. Buyers acknowledge and agree that any such use of TI products which TI has not designated as military-grade is solely at the Buyer's risk, and that they are solely responsible for compliance with all legal and regulatory requirements in connection with such use.

TI products are neither designed nor intended for use in automotive applications or environments unless the specific TI products are designated by TI as compliant with ISO/TS 16949 requirements. Buyers acknowledge and agree that, if they use any non-designated products in automotive applications, TI will not be responsible for any failure to meet such requirements.

Following are URLs where you can obtain information on other Texas Instruments products and application solutions:

### Products

|                             |  |
|-----------------------------|--|
| Audio                       | <a href="http://www.ti.com/audio">www.ti.com/audio</a>             |
| Amplifiers                  | <a href="http://amplifier.ti.com">amplifier.ti.com</a>             |
| Data Converters             | <a href="http://dataconverter.ti.com">dataconverter.ti.com</a>     |
| DLP® Products               | <a href="http://www.dlp.com">www.dlp.com</a>                       |
| DSP                         | <a href="http://dsp.ti.com">dsp.ti.com</a>                         |
| Clocks and Timers           | <a href="http://www.ti.com/clocks">www.ti.com/clocks</a>           |
| Interface                   | <a href="http://interface.ti.com">interface.ti.com</a>             |
| Logic                       | <a href="http://logic.ti.com">logic.ti.com</a>                     |
| Power Mgmt                  | <a href="http://power.ti.com">power.ti.com</a>                     |
| Microcontrollers            | <a href="http://microcontroller.ti.com">microcontroller.ti.com</a> |
| RFID                        | <a href="http://www.ti-rfid.com">www.ti-rfid.com</a>               |
| RF/IF and ZigBee® Solutions | <a href="http://www.ti.com/lprf">www.ti.com/lprf</a>               |

### Applications

|                               |  |
|-------------------------------|--|
| Communications and Telecom    | <a href="http://www.ti.com/communications">www.ti.com/communications</a>                 |
| Computers and Peripherals     | <a href="http://www.ti.com/computers">www.ti.com/computers</a>                           |
| Consumer Electronics          | <a href="http://www.ti.com/consumer-apps">www.ti.com/consumer-apps</a>                   |
| Energy and Lighting           | <a href="http://www.ti.com/energy">www.ti.com/energy</a>                                 |
| Industrial                    | <a href="http://www.ti.com/industrial">www.ti.com/industrial</a>                         |
| Medical                       | <a href="http://www.ti.com/medical">www.ti.com/medical</a>                               |
| Security                      | <a href="http://www.ti.com/security">www.ti.com/security</a>                             |
| Space, Avionics and Defense   | <a href="http://www.ti.com/space-avionics-defense">www.ti.com/space-avionics-defense</a> |
| Transportation and Automotive | <a href="http://www.ti.com/automotive">www.ti.com/automotive</a>                         |
| Video and Imaging             | <a href="http://www.ti.com/video">www.ti.com/video</a>                                   |
| Wireless                      | <a href="http://www.ti.com/wireless-apps">www.ti.com/wireless-apps</a>                   |

TI E2E Community Home Page

[e2e.ti.com](http://e2e.ti.com)

Mailing Address: Texas Instruments, Post Office Box 655303, Dallas, Texas 75265  
Copyright © 2011, Texas Instruments Incorporated