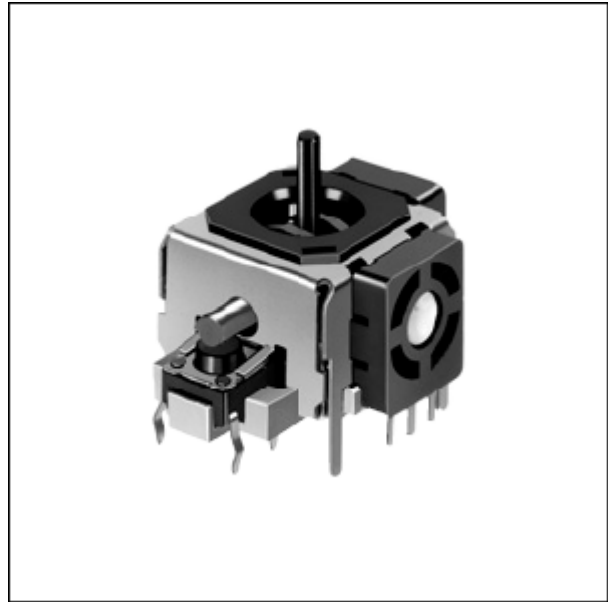


Stick Controller RKJXK/RKJXP Series

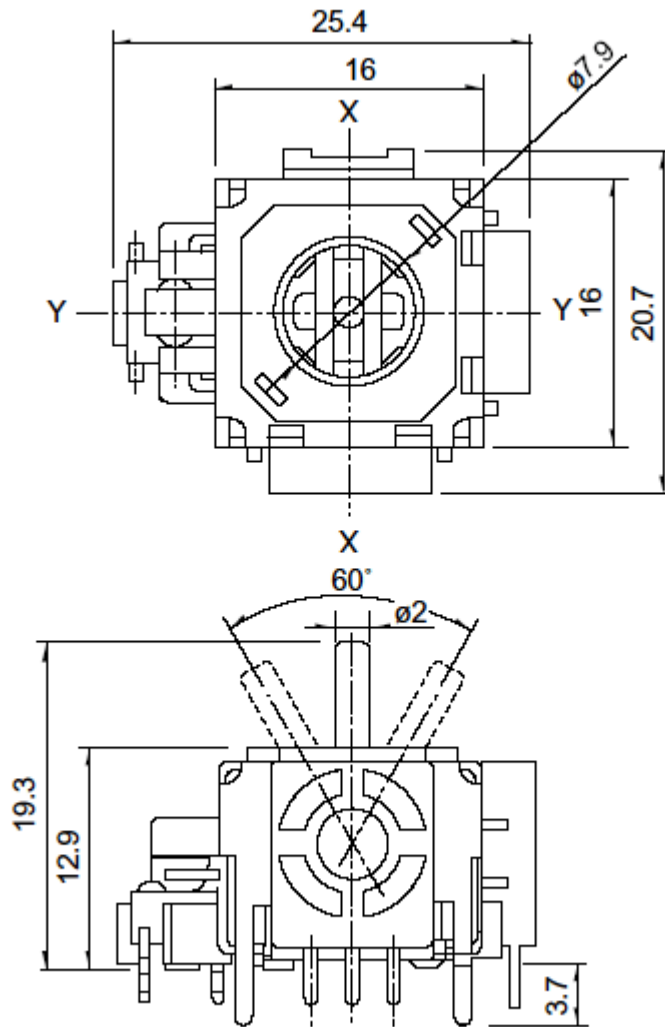


Detail

Model No.		RKJXK122400Y	
Type		Variable resistor	
Number of operating shafts		Single-shaft	
Shaft material		Metal	
Lever return mechanism		With	
Potentiometer Part	Maximum operating voltage		50V AC, 5V DC
	Total resistance		10kΩ
	Resistance taper		B (0B)
Center push part	Center push		With
	Ratings (max.)		50mA 12V DC
	Travel (mm)		0.5(+0.5, -0.4)
Minimum packing unit (pcs.)		500	
Operating temperature range		-10°C to +70°C	
Electrical performance	Directional resolution		Continuous
	Insulation resistance		100MΩ min. 250V DC
	Voltage proof		250V AC for 1 minute
	Rated power		0.0125W
Mechanical performance	Direction application force		6±4mN·m
	Push application force		5.2±2.6N
Environmental performance	Cold		-30±2°C for 96h
	Dry heat		80±2°C for 96h
	Damp heat		60±2°C, 90 to 95%RH for 96h
Mechanical performance	Solder heat resistance	Manual soldering	300°C max. 3s max.
		Dip soldering	260±5°C, 5±1s
Slider noise		300mV max. by JIS method	
Lever stopper strength		0.3N·m	
Lever play		5° max.	
Lever strength		50N min. (Push/Pull)	
Durability	Operating life	Directions	100,000 cycles
		Center push	100,000 cycles

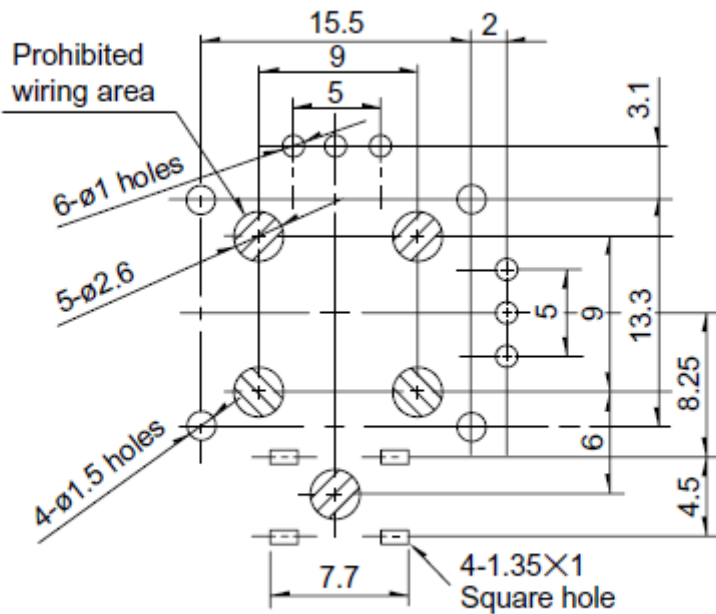
Dimensions

Unit: mm



Mounting Hole Dimensions

Unit: mm



Mounting hole detail viewed from mounting side.

Viewed from mounting side.

NOTE Notes are common to this series/models.

1. Place your purchase order in N minimum package units (N: integer).
2. Ask us for the export packaging unit.

▶ Inquiries about Products

For more information please contact: Products Information Center.

1-7, Yukigaya-otsuka-machi, Ota-ku, Tokyo, 145-8501, Japan

Phone: +81 (3) 5499-8154

COPYRIGHT(C) 1995-2008 ALPS ELECTRIC CO.,LTD.