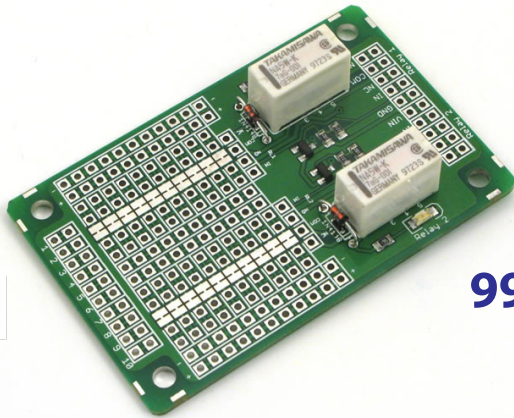


1000Pads-Mini 2Relays Board ^{V1.0}



990.107

Simple dual Relay Board. Develop the application directly on the board or attach it to another 1000Pads board, it's easy and fast. Thanks to the mosfets, relays operations are microcontroller friendly.

Technical Specifications:

- Coil Voltage = 5Vdc
- Coil Power = 140mW
- Coil Resistance = 178 ohm
- Contact Rating (resistive) 1A @ 30Vdc
- Switching delay= Set/Max 6ms - Release/Max 4ms

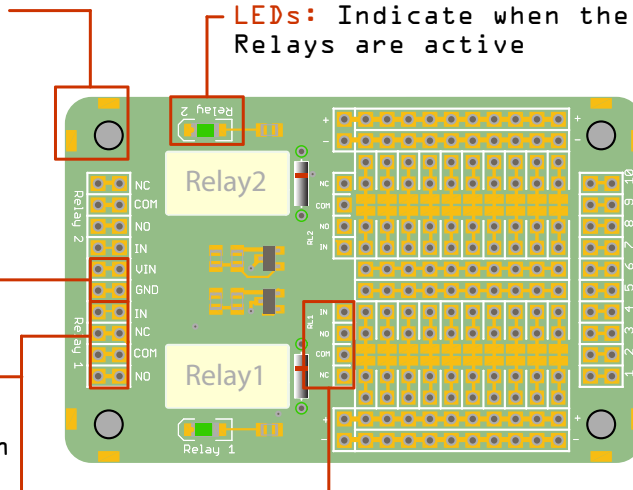
The 2Relays Board is compatible with the 1000Pads Mini System. The pads pitch is standard 2,54mm - The mounting holes are 3.2mm diameter. Dimensions: 43 x 68mm.

Perimetral Pads: Use this pads to attach two or more 1000Pads Boards side-by-side. Just put a dab of solder to "weld" the boards.

LEDs: Indicate when the Relays are active

VIN: Power 5Vdc

Relays interface:
 IN = connecting this pin to GND activates the relay
 NC = normally closed
 COM = common
 NO = normally open



The picture shows actual pads connections.



Sample applications:

