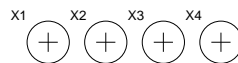
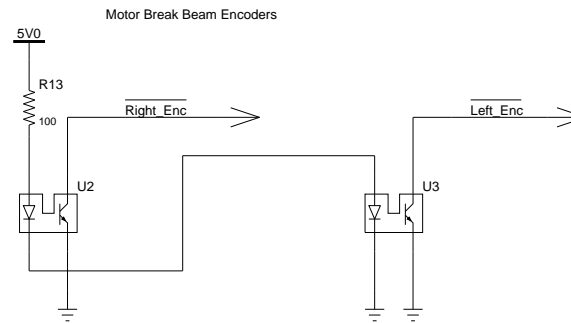
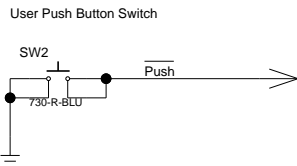
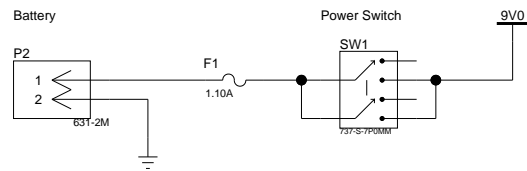
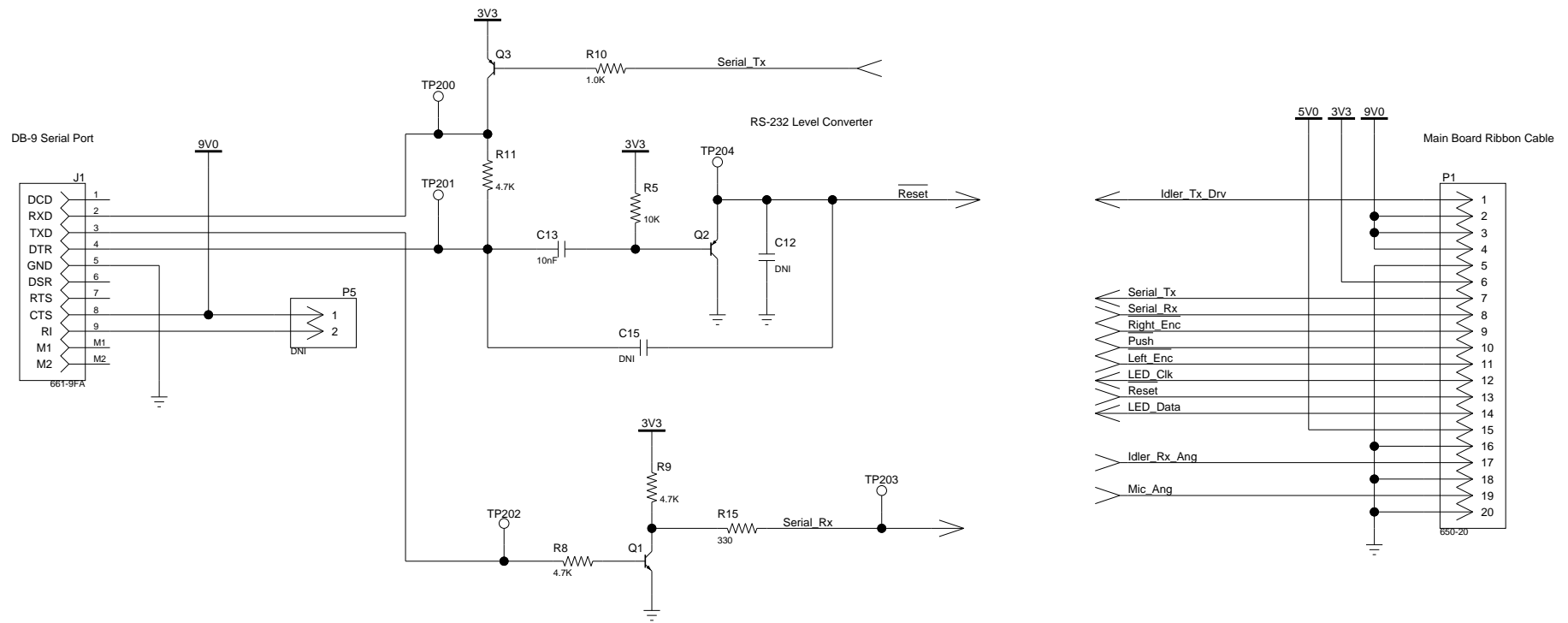
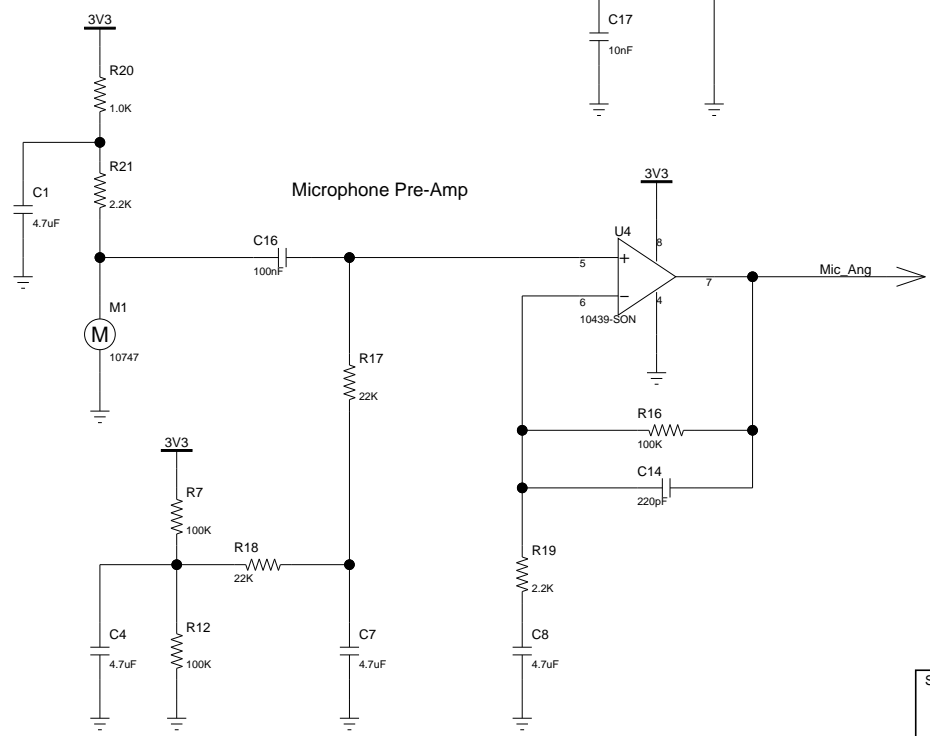
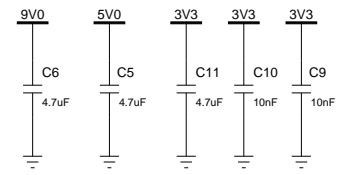
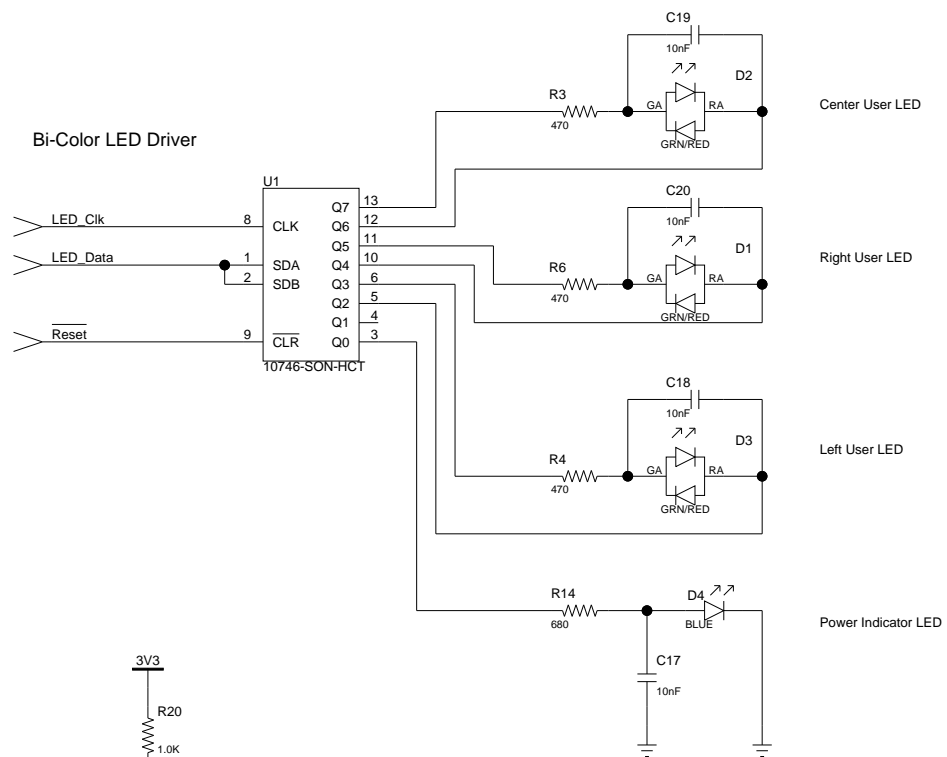


Back PCB

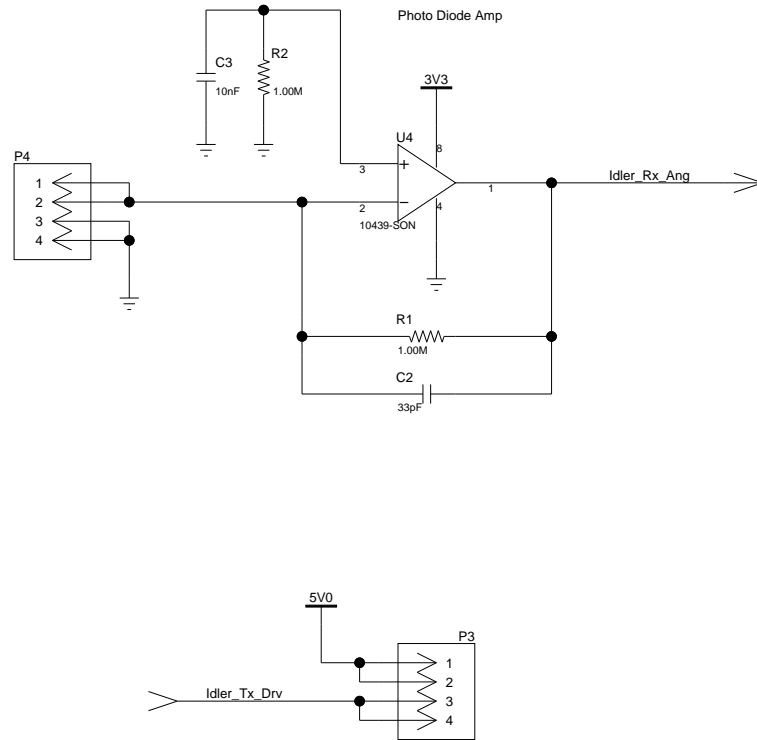


SIZE	DWG	10715E_Back_PCB	
A			
DRAWN BY	SHEET	OF	PROJECT
B. WIRZ	1	3	SCRIBBLER2



SIZE	DWG	10715E_Back_PCB	
A			
DRAWN BY	SHEET	OF	PROJECT
B. WIRZ	2	3	SCRIBBLER2

Idler Wheel Break Beam Sensor



SIZE	DWG	10715E_Back_PCB	
A			
DRAWN BY	SHEET	OF	PROJECT
B. WIRZ	3	3	SCRIBBLER2