

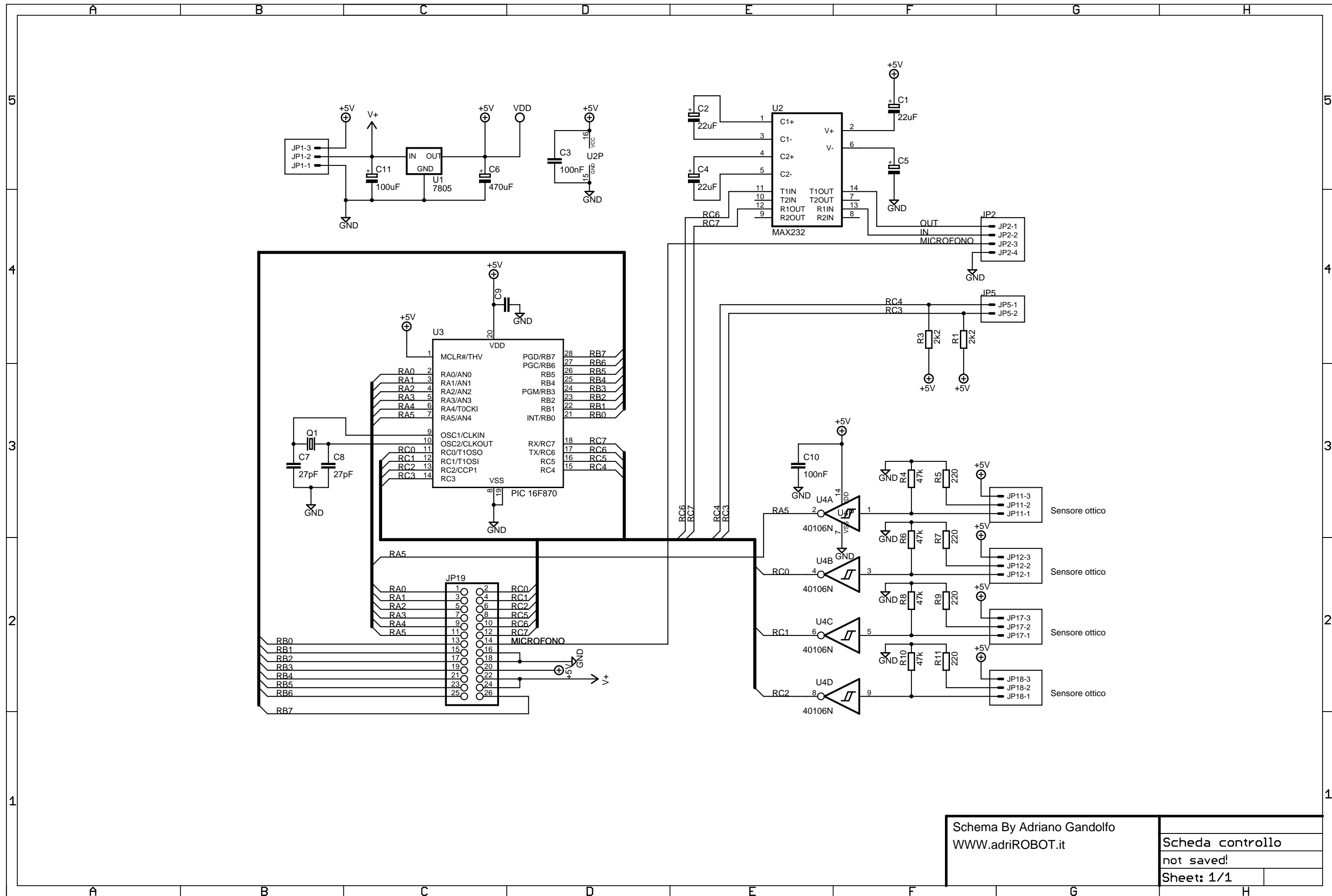
Scheda RV501r4/3

Schema By Adriano Gandolfo
www.adriROBOT.it

Scheda_smartcard

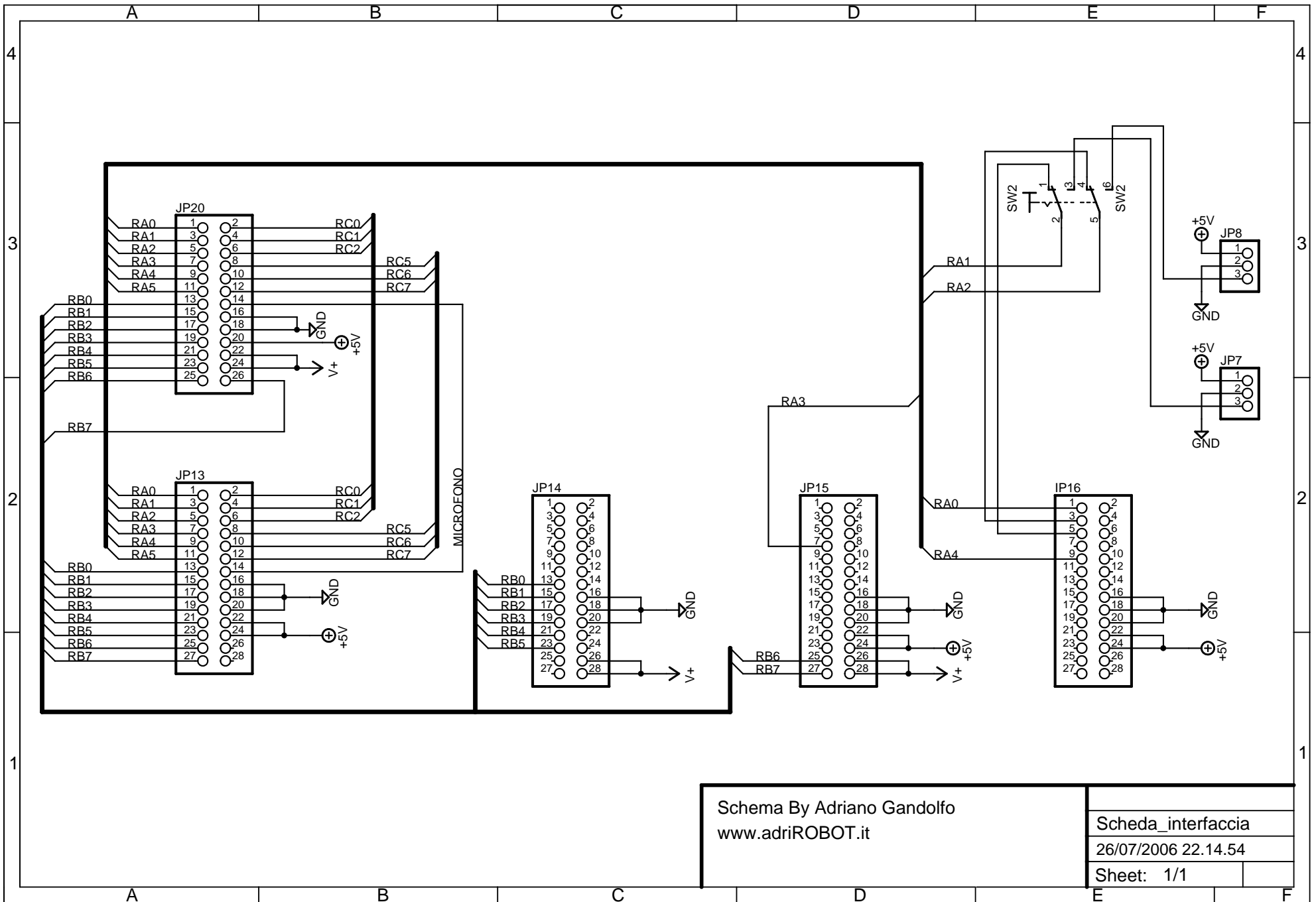
08/08/2006 16.04.48

Sheet: 1/1



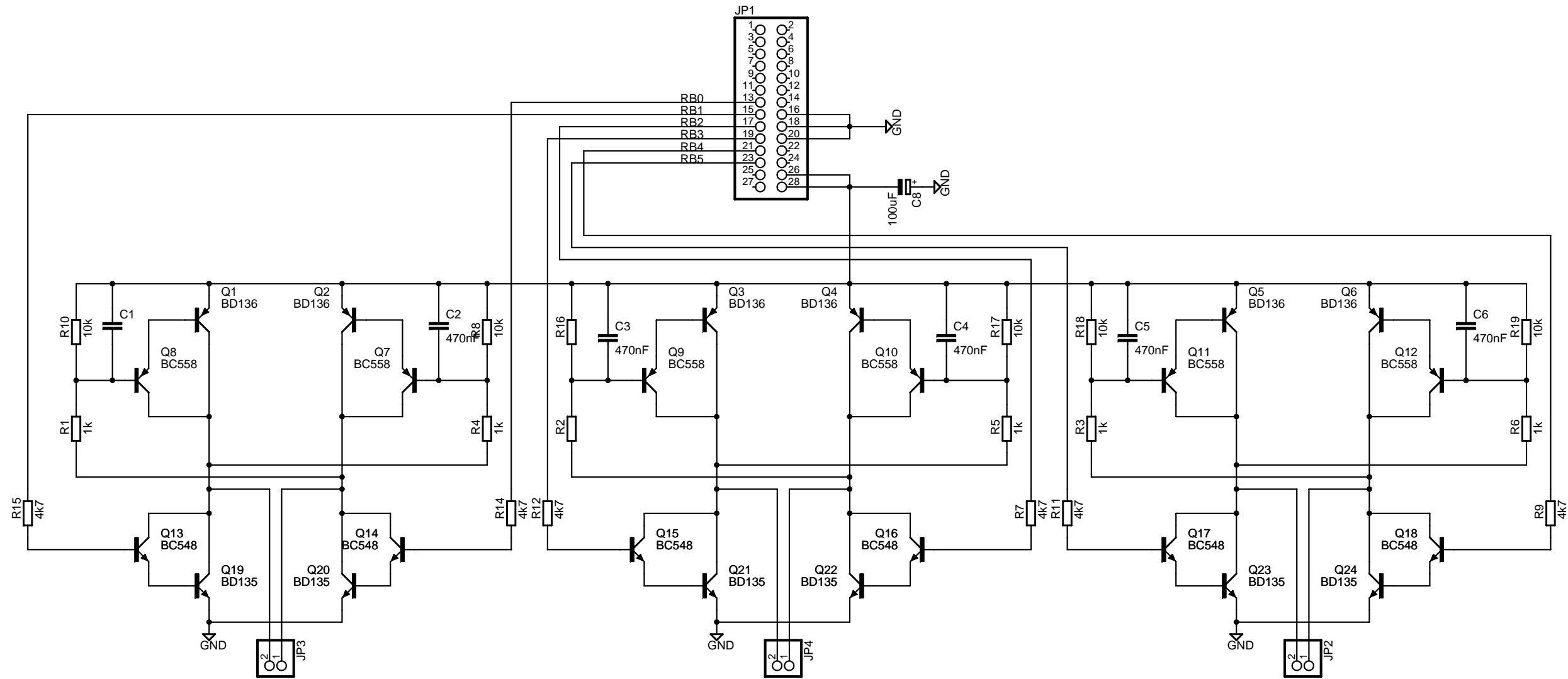
Schema By Adriano Gandolfo
 WWW.adriROBOT.it

Scheda controllo not saved!	
Sheet: 1/1	

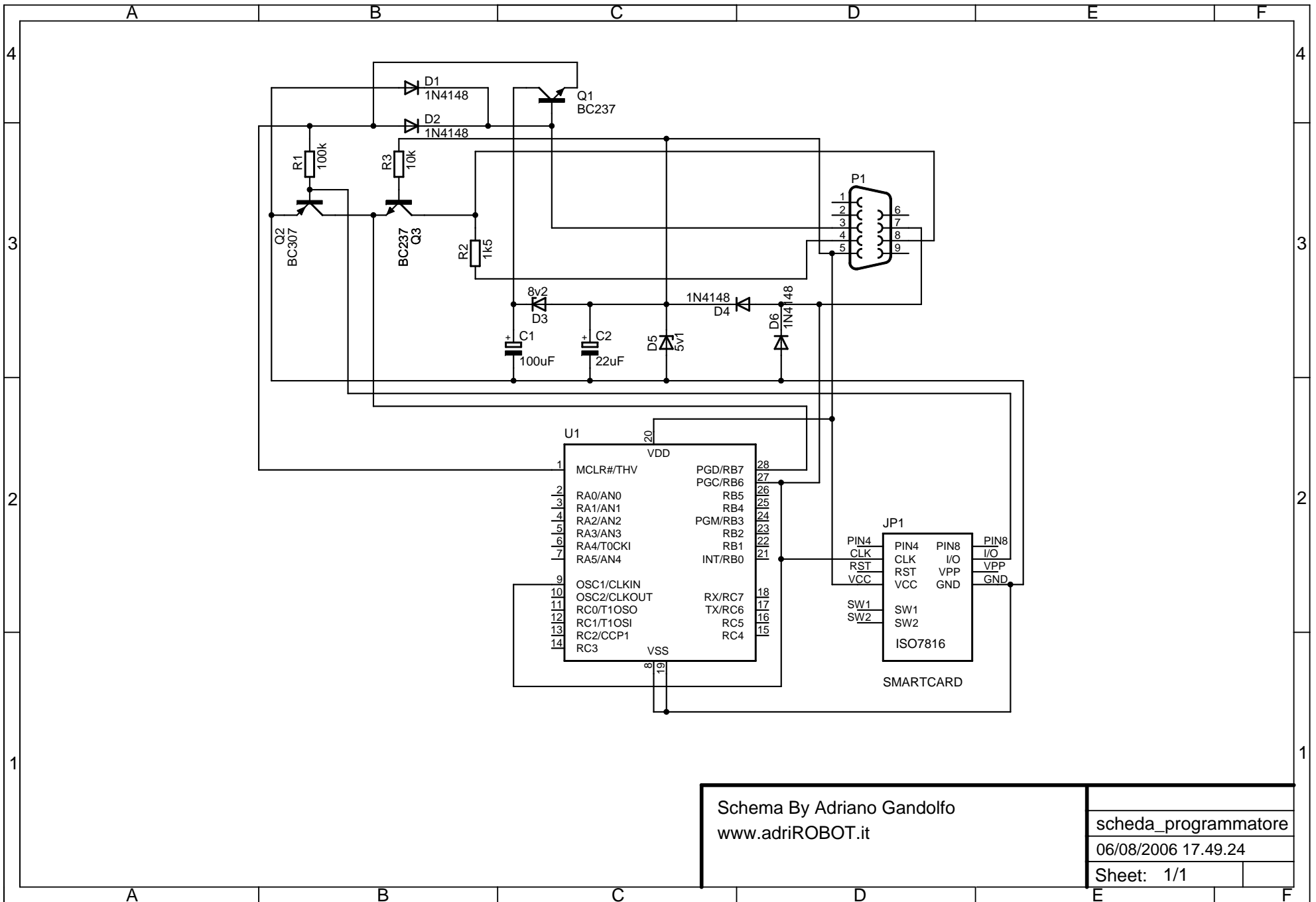


Schema By Adriano Gandolfo
www.adriROBOT.it

Scheda_interfaccia
 26/07/2006 22.14.54
 Sheet: 1/1

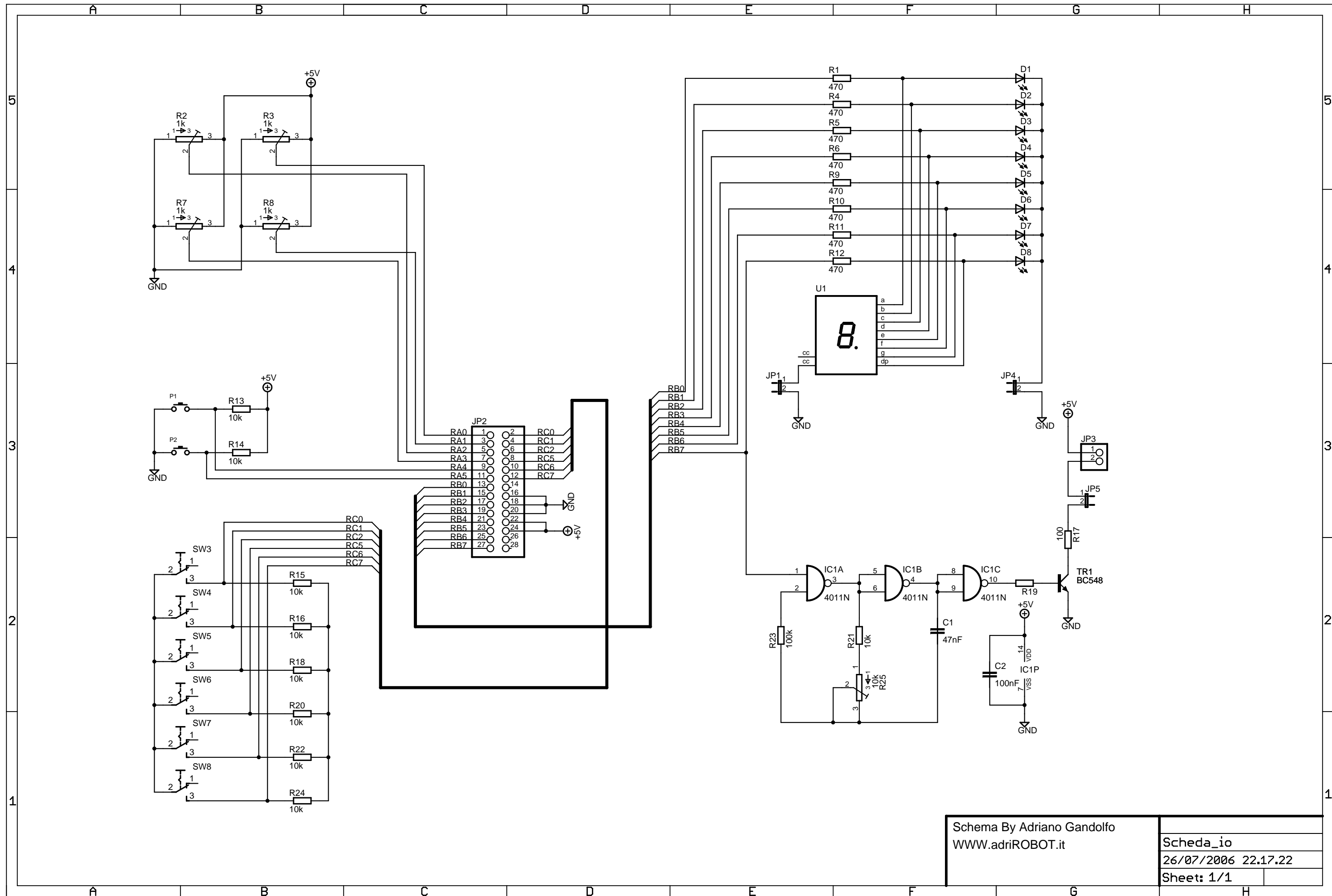


Schema By Adriano Gandolfo	
WWW.adriROBOT.it	
Scheda_Potenza	
08/08/2006 21.04.52	
Sheet: 1/1	



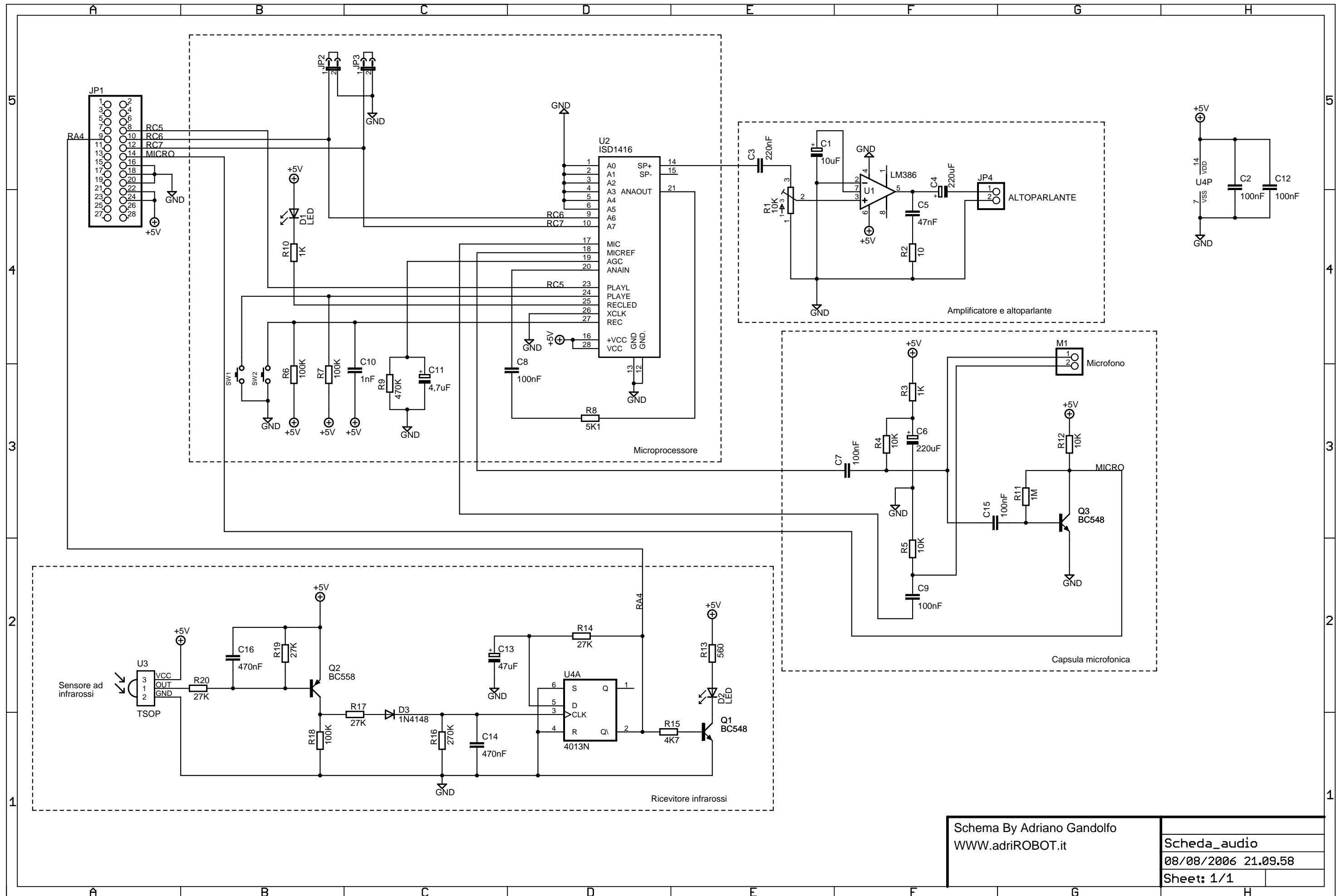
Schema By Adriano Gandolfo
www.adriROBOT.it

scheda_programmatore
 06/08/2006 17.49.24
 Sheet: 1/1



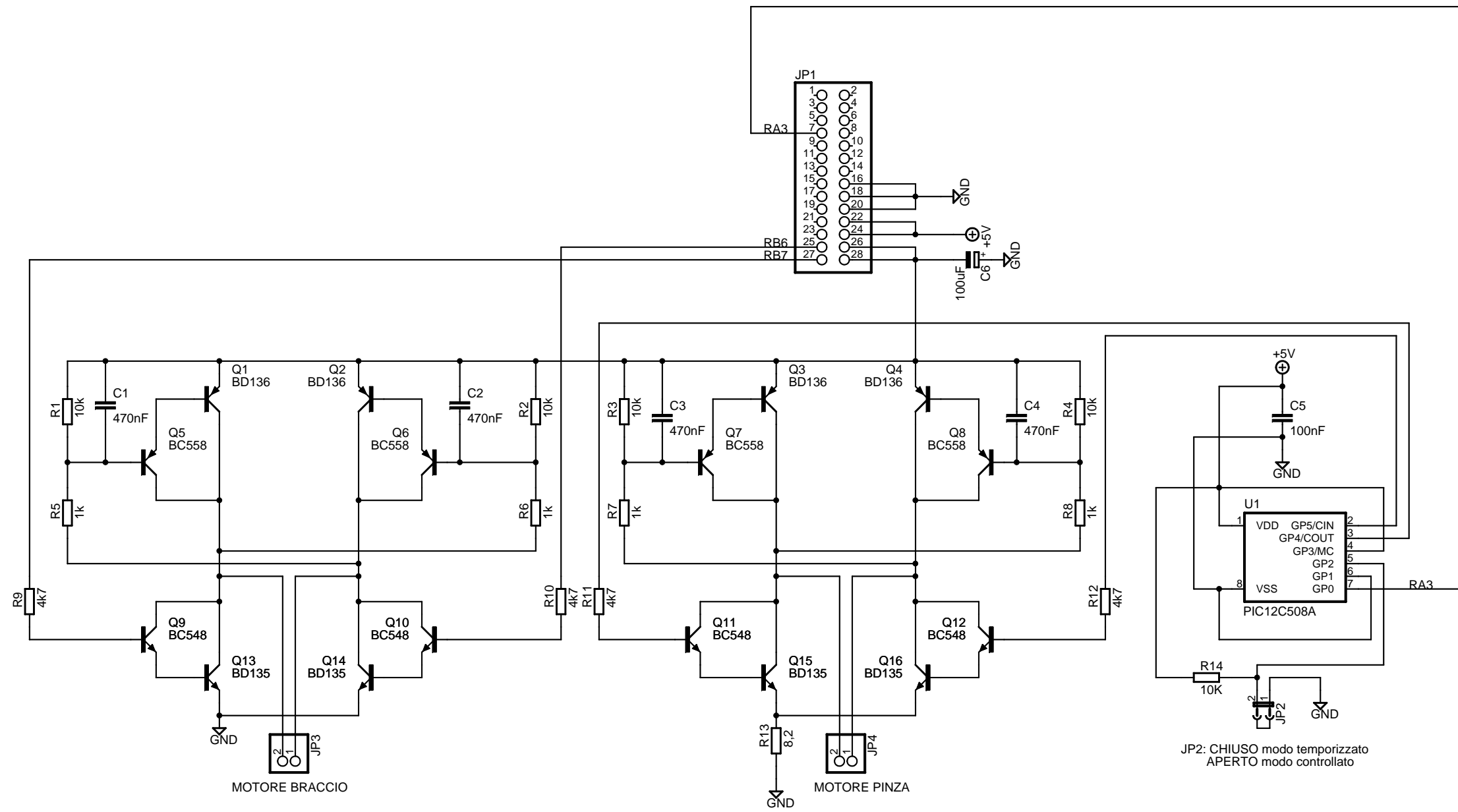
Schema By Adriano Gandolfo
 WWW.adriROBOT.it

Scheda_io
26/07/2006 22.17.22
Sheet: 1/1

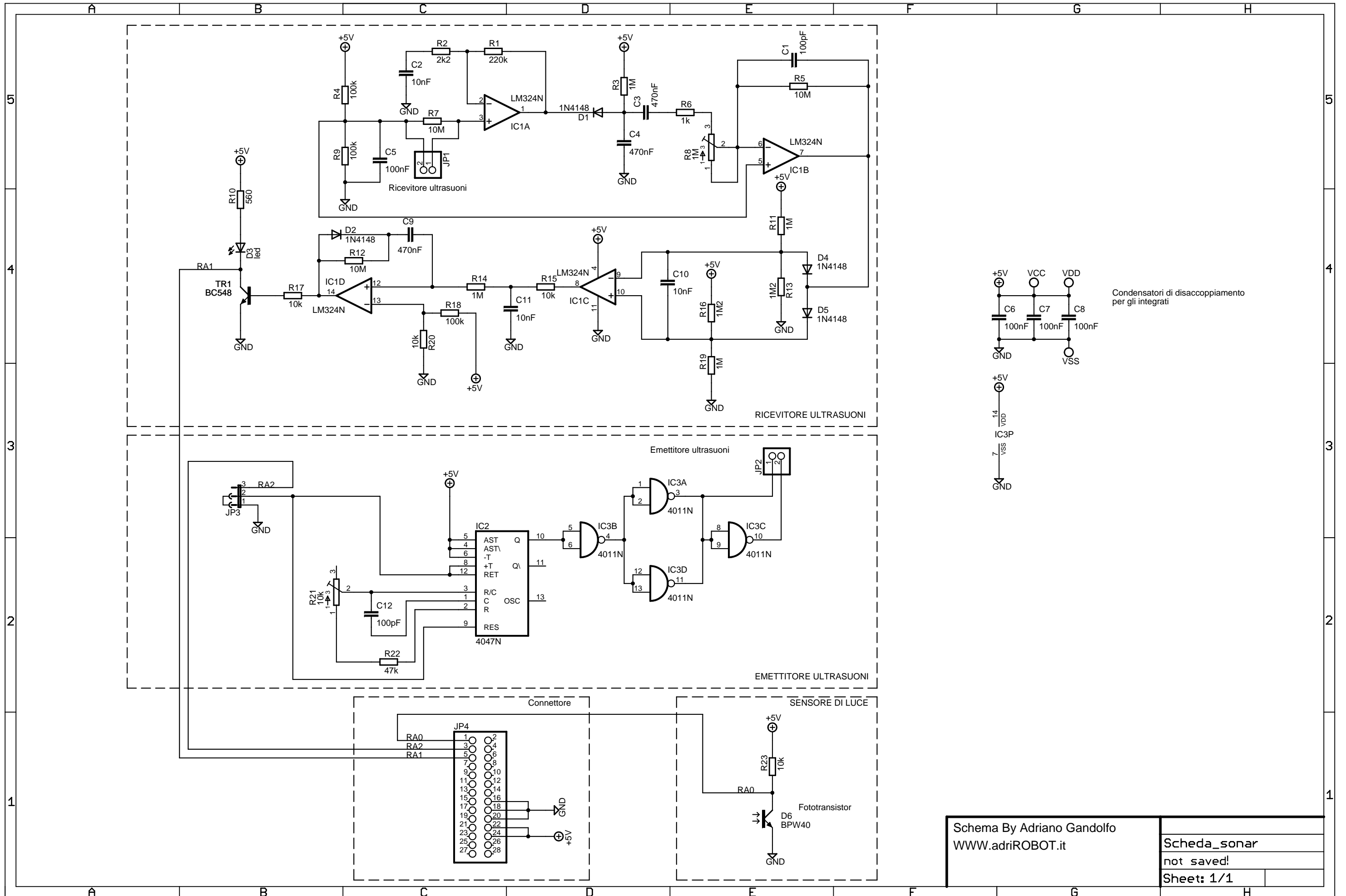


Schema By Adriano Gandolfo
 WWW.adriROBOT.it

Scheda_audio	
08/08/2006 21.09.58	
Sheet: 1/1	



JP2: CHIUSO modo temporizzato
 APERTO modo controllato



Schema By Adriano Gandolfo
 WWW.adriROBOT.it

Scheda_sonar
not saved!
Sheet: 1/1