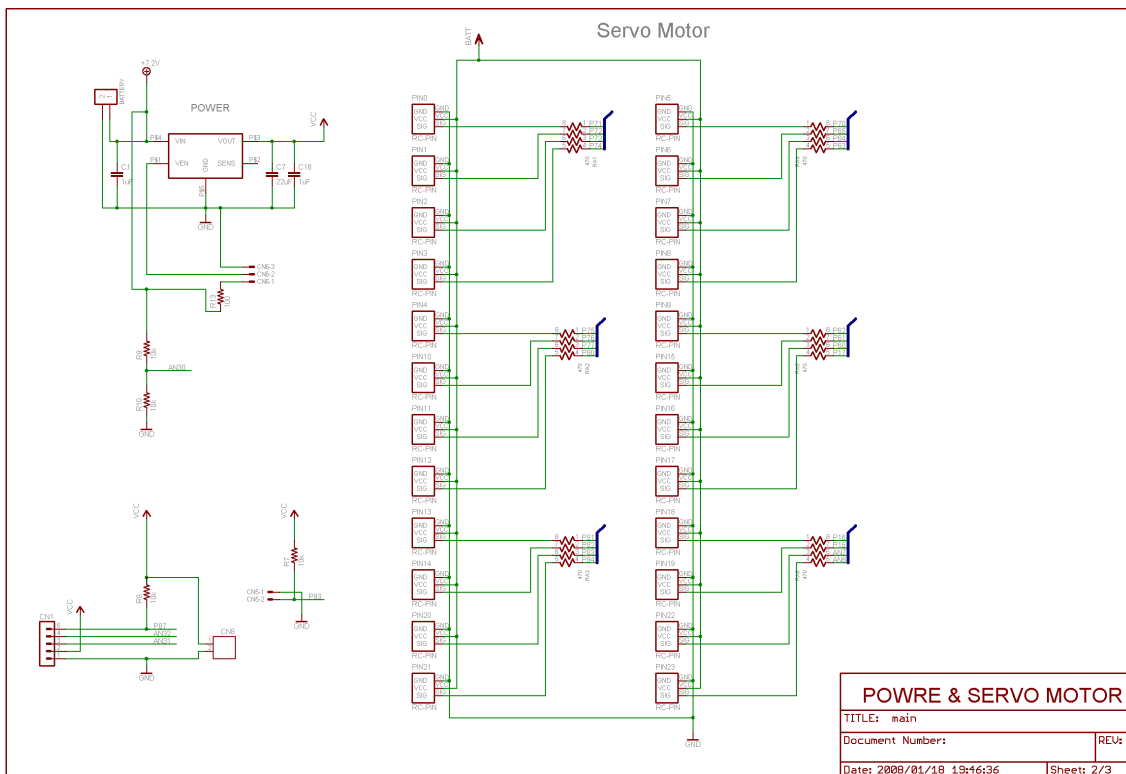
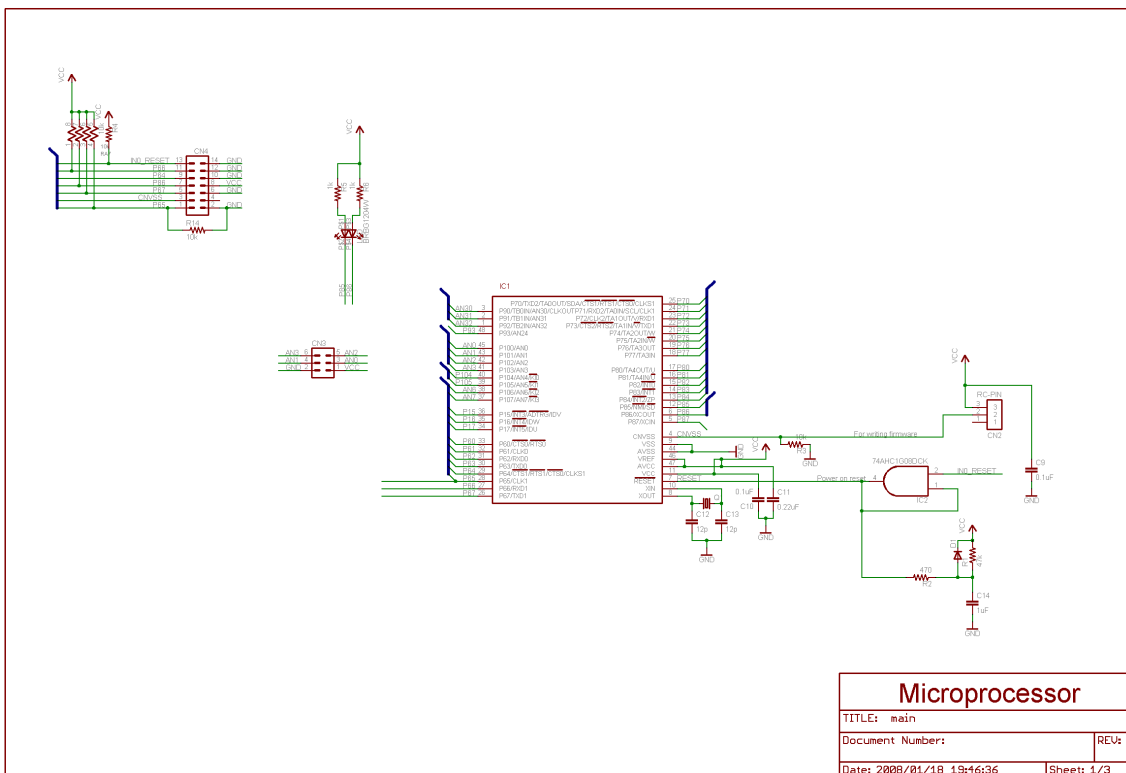
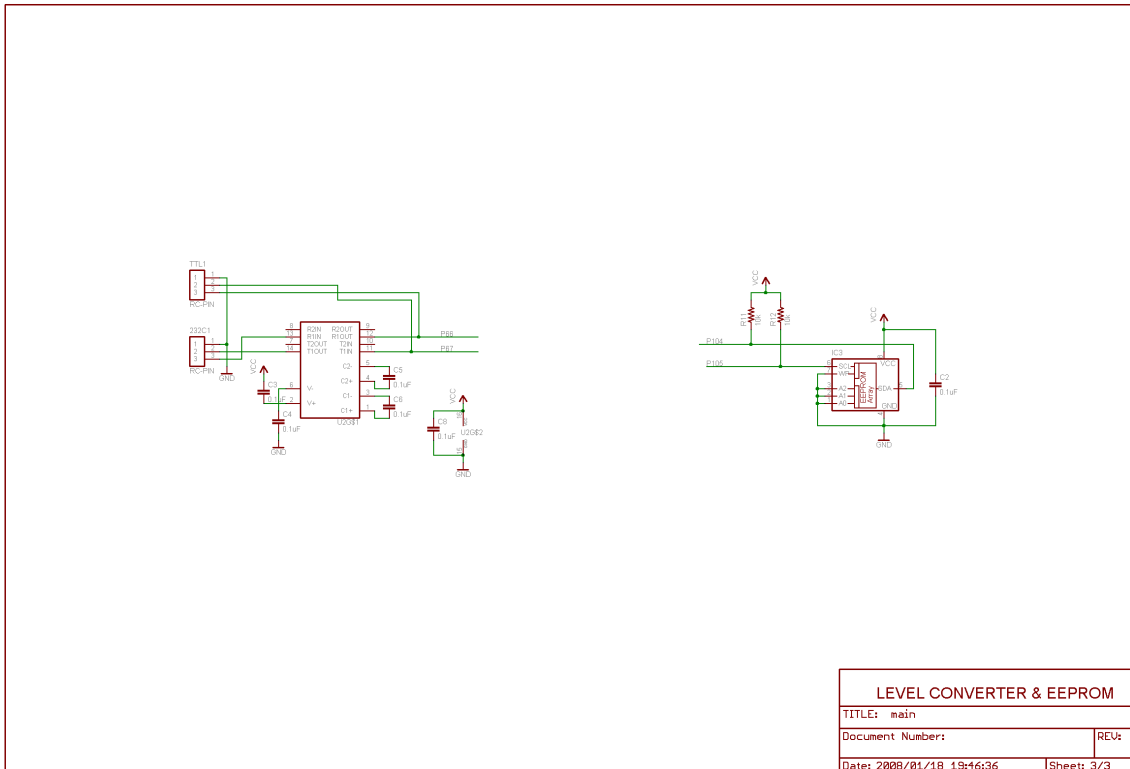


Schema Elettrico della Scheda RMC2





**Electric specification**

All output pins are TTL level ( 5V , 2mA ), and all input pins are pull-up with 10k ohm.

There is no tolerant function for input pins.